

SERVICE

MANUAL

REMOTE CONTROL and AUDIO INPUT

MODULE

LM-88A

interM

ELECTRICAL PARTS LIST (LM-88A)

Ref No.	Part No.	Description	Value	Qty
---------	----------	-------------	-------	-----

MAIN B'D (4005407600)

CN101	4428594010	WAFER 5532-10A J.MOLEX	TO AN101	1
CN102			TO AN102	1
C103 C105-106 C112-113 C141-142	S35101045321	CAP CL 0.1UF 50V Z 1608	0.1 50	7
C110-111	S35101014321	CAP CL 100PF 50V J 1608	100P	2
C143-146	S35101514321	CAP CL 150PF 50V J 1608	150P	4
C108-109	S35103304321	CAP CL 33PF 50V J 1608	33P	2
L101	S26103312990	COIL SMD 330UH FASTECH	330uH	1
D101	S22301603001	DIODE M1FS4 SHINDENGEN	M1FS4	1
D103	2058100965	DIODE 1N5822	1N5822	1
D102	S22100500001	DIODE 1N4148 GP SMD	1N4148	1
C102	3409210171-T	CAP AF RSG 100UF 50V 8 P	100/50	1
C101	3409210171-T	CAP AF RSG 100UF 50V 8 P	100/50	1
C104	3409233147-T	CAP SD 330UF 25V 8P	330/25	1
F1			1A/250V	1
IC109	2118012205	KIA7824API-U	7824	1
IC101	2168640978	IC REGULATOR LM2575-5/LB03	LM2575-5	1
IC103	2128220700	IC MN13811T PANASONIC (RESET)	MN13811T	1
IC104-105	S21275087601	IC SN75176BD SOIC(TI)	SN75176	2
IC102	S21212640701	CPU S3P8469XZZ-QTR9 MATRIX	KS88C4632	1
R103	S30100007121	RES TF 0 1/16W 1608J	0	1
R104	S30101037121	RES TF 10K 1/16W 1608J	10K	1
R106-107 R141-144	S30106817121	RES TF 680 1/16W 1608	680	6
F101	3079101275	RES ERD-2FCVG 101T 1/4W R	100/0.25W	1
JK103			CONTROL	1
S1	S46980040301	DIP SWITCH KHS04	SW DIP KHS04	1
SW102			10mA	1
X101	3908101975	CRYSTAL 11.0592MHZ 49/U 20PF	11.0592MHz	1

JACK B'D (4005407610)

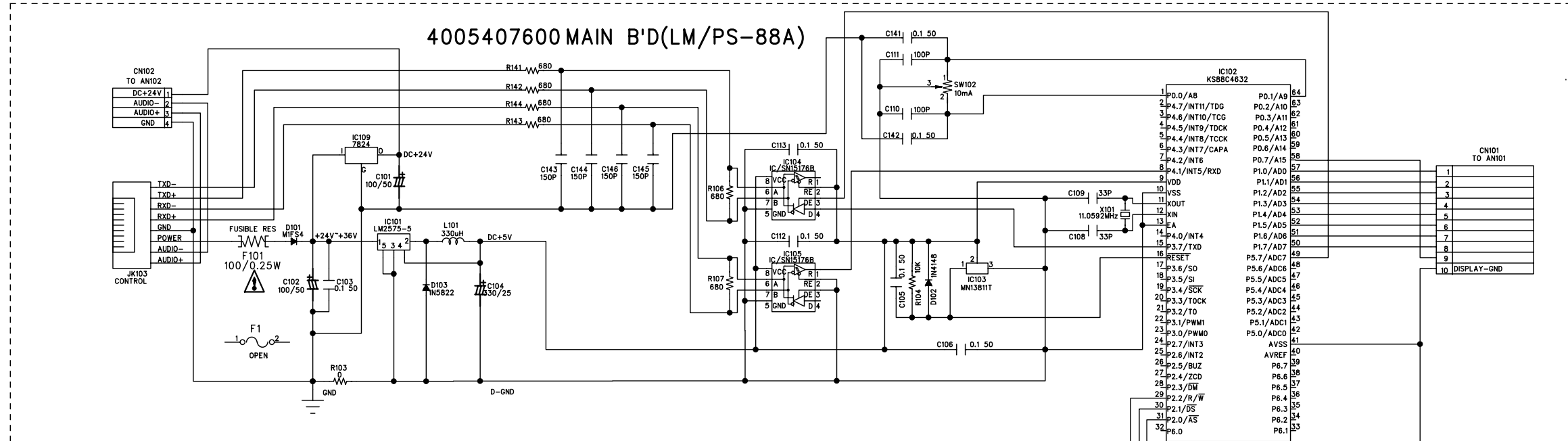
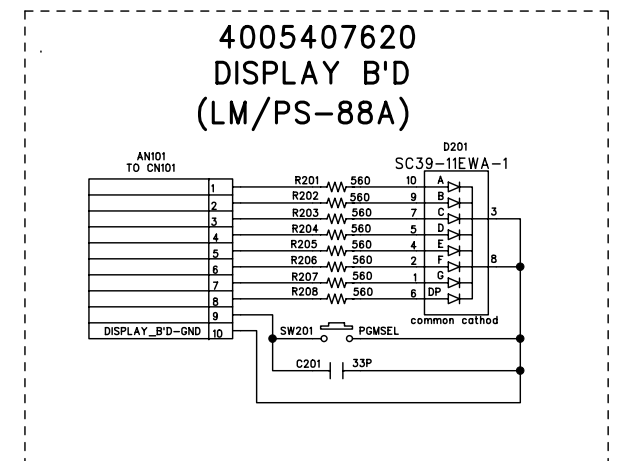
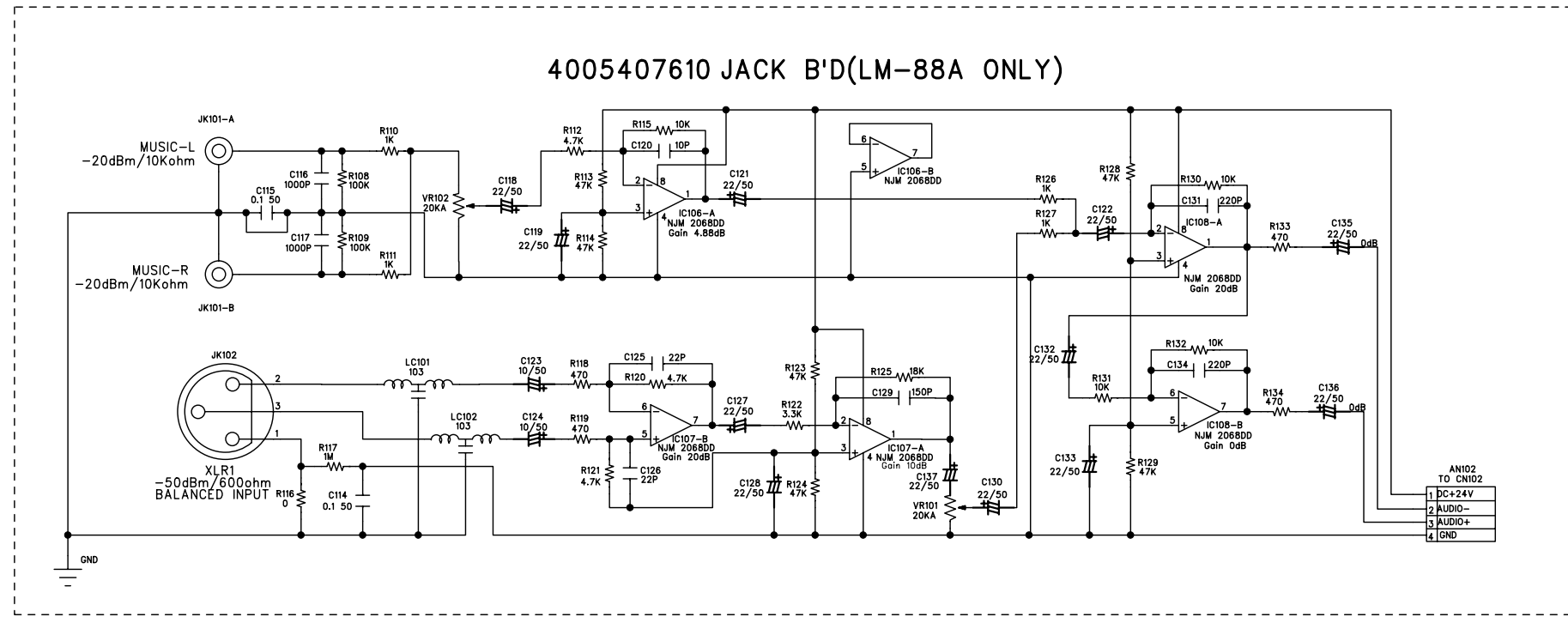
C114-115	S35101045321	CAP CL 0.1UF 50V Z 1608	0.1 50	2
C116-117	S35101024321	CAP CE C1000PF 50V J 0603(1608	1000P	2
C120	S35101004321	CAP CL 10PF 50V J 1608	10P	1
C129	S35101514321	CAP CL 150PF 50V J 1608	150P	1
C131 C134	S35102214321	CAP CL 220PF 50V J 1608	220P	2
C125-126	S35102204321	CAP CL 22PF 50V J 1608	22P	2
AN102			TO CN102	1
LC101-102	3908609970	EMI DSS6NZ82A103Q55B	103	2
C123-124	3409210071-T	CAP AF RSG 10UF 50V 5 P	10/50	2
C118-119 C121-122 C127-128 C130 C132-133 C135-137	3409222071-T	CAP AF RSG 22UF 50V 5 P	22/50	12
JK101			JACK4P	1
IC106-108	S21101080002	IC NJM2068M/TE1-4	NJM 2068DD	3
R116	S30100007121	RES TF 0 1/16W 1608J	0	1
R108-109	S30101047121	RES TF 100K 1/16W 1608J	100K	2
R115 R130-132	S30101037121	RES TF 10K 1/16W 1608J	10K	4
R125	S30101837121	RES TF 18K 1/16W 1608J	18K	1

R110-111 R126-127	S30101027121	RES TF 1K 1/16W 1608J	1K	4
R117	S30101057121	RES TF 1M 1/16W 1608J	1M	1
R122	S30103327121	RES TF 3.3K 1/16W 1608	3.3K	1
R112 R120-121	S30104727121	RES TF 4.7K 1/16W 1608	4.7K	3
R118-119 R133-134	S30104717121	RES TF 470 1/16W 1608	470	4
R113-114 R123-124	S30104737121	RES TF 47K 1/16W 1608	47K	6
R128-129				
VR101-102	3228067330	VR NOBLE VR XV09211NPP15A20K	20KA	2
JK102	4438087820	JACK XLR(F) HOR NC3FAH1-0 NEUT	XLR 3P(F)	1

DISPALY B'D (4005407620)

C201	S35103304321	CAP CL 33PF 50V J 1608	33P	1
AN101	4428593910	WAFER 5533-10APB J.MOLEX	TO CN101	1
R201-208	S30105617121	RES TF 560 1/16W 1608	560	8
D201	2337000040	LED 7SEGMENT SC39-11(BS-C344RD	SC09-11EWA	1
SW201	4658099912	SWITCH TACT ITL-01GK	PGMSEL	1

1		2			3		4		5		6	
COMPANY	INTER.M	APPLICANT	REVISED NUMBER AND DATE			DRAWN	CHECKED	APPROVED	NOTE	SIZE	SHEET NO.	SCHMATIC DIAGRAM
TYPE CODE		M.P	1.	4.	7.					A3	1/1	MODEL: LM-88A/PS-88A
APPROVED DATE	2004.04.28		2.	5.	8.							
			3.	6.	9.							



POWER: DC +24V~+36V (From PX-0288)
 Serial Interface (RS-422)
 - Communication Speed : 9600 bps
 - Full Duplex, Multi-Drop topology
 - Data 8bits, Stop 1bit, Non Parity bit, Start 1bit
 - Communication Distance : MAX 300m (at UTP Cat5)

S1	LM-88 #1	=>	000
	LM-88 #2	=>	001
	LM-88 #3	=>	010
	LM-88 #4	=>	011
	LM-88 #5	=>	100
	LM-88 #6	=>	101
	LM-88 #7	=>	110
	LM-88 #8	=>	111
	Not Used Pin4 & Pin5		