

**SERVICE**

**MANUAL**

M U L T I - V O I C E

**FILE**

**MVF-2132**

**interM**

**ELECTRICAL PARTS LIST ( MVF - 2123)**

Ref No.	Part No.	Description	Value	Qty
---------	----------	-------------	-------	-----

**AUDIO IN/OUT PART**

D15	2058100996	DIODE RECTIFIER LT1N4006(4007)	1N 4006	1
C36 C45 C53 C60 C63 C102-104 C107-108	3409210071-T	CAP AF RSG 10UF 50V 5 P	10/50	10
C52 C57	3409247071-T	CAP AF RSG 47UF 50V 6 P	47/50	2
C11 C37-39 C43 C48 C51 C55-56 C58 C73 C92-94	3409247974-T	CAP RG 4.7UF 50V 105C	4.7/50	14
AN2	4355715718	CON ASS'Y 3P 440MM SHIELD	3P	1
AN3	4355715806	CON ASS'Y 4P 140MM SHIELD	4P	1
JK1	4408194610	XLR JACK (M) (E403A0090N)	XLR JACK	1
CN2	4428595003	LW5267/LWB0640/2.5MM-03P	3P	1
CN3	4428595004	LW5267/LWB0640/2.5MM-04P	4P	1
JK2 JK9 JK8	4438097310	JACK PHONE 4P	JACK PHONE	2
JK3	4438193410	JACK RCA 2P(JK0200500N)	RCA 2P	1
K2	5528099000	RELAY RY 5W-K( )	RL11-5V	1
IC9 IC12	S21101080002	IC NJM2068M/TE1-4	2068	2
IC13	S21101083204	IC NJM5532M/TE1-4 JRC	NJM5532M	1
IC6	S21222280002	IC XWM8731 27AAG2X(WOLFSON)	WM8731	1
D19-20	S22100500001	DIODE 1N4148 GP SMD	1N 4148	2
R65 R77 R79	S30100007231	RES TF 0 1/10W 2012	0	3
R20-21 R25 R34 R59 R66 R69 R81 R100	S30101017231	RES TF 100 1/10W 2012	100	9
R56 R64	S30101037231	RES TF 10K 1/10W 2012	10K	2
R26 R52-53 R76 R78 R80 R84 R89	S30101047231	RES TF 100K 1/10W 2012	100K	8
R67 R88	S30101517231	RES TF 150 1/10W 2012	150	2
R83 R85	S30101527231	RES TF 1.5K 1/10W 2012	1.5K	2
R35	S30101537231	RES TF 15K 1/10W 2012	15K	1
R86-87	S30102027231	RES TF 2K 1/10W 2012	2K	2
R54	S30102727231	RES TF 2.7K 1/10W 2012	2.7K	1
R82	S30103327231	RES TF 3.3K 1/10W 2012	3.3K	1
R19 R90	S30104707231	RES TF 47 1/10W 2012	47	2
R33	S30104727231	RES TF 4.7K 1/10W 2012	4.7K	1
R32 R46 R49-50 R63	S30104737231	RES TF 47K 1/10W 2012	47K	5
R30-31	S30105127231	RES TF 5.1K J 1/10W 2012	5.1K	2
R27-28 R36 R44 R47 R61	S30105627231	RES TF 5.6K 1/10W 2012	5.6K	6
R29 R62	S30105647231	RES TF 560K 1/10W 2012	560K	2
C50 C59 C67 C72	S35101014331	CAP CE C 100PF 50V J 0805(2012)	100P	4
C95-96	S35101024331	CAP CE C 1000PF 50V 0805(2012)	1000P	2
C42 C69 C74 C90 C98 C105-106	S35101035331	CAP CE B0.01UF 50V K 0805(2012)	0.01/50	7
C49 C75-76 C99-101	S35101045331	CAP CE B 0.1UF 50V Z 0805(2012)	0.1/50	6
C61 C91	S35104704331	CAP CE C 47PF 50V J 0805(2012)	47P	2

**MMC/SD CARD SOCKET**

R23-24 R39-42	S30101027231	RES TF 1K 1/10W 2012	1K	6
R43	S30101037231	RES TF 10K 1/10W 2012	10K	1
SD	S44410420611	SOCKET MMC SOCKET( )	MMC SOCKET	1

**IN/OUTPUT LEVEL METER PART**

IC19	2118030405	KIA6966S	KIA 6966S	1
D7	2300030100	LED LTL-1CHE LITEON	LTL-1CHE	1
D6	2300031100	LED LTL-1CHY LITEON	LTL-1CHY	1
D3-5	2300032100	LED LTL-1CHG LITEON	LTL-1CHG	3

C65	3409247871-T	CAP AF RSG 0.47UF 50V 5 P	0.47/50	1
C64	3409247974-T	CAP RG 4.7UF 50V 105C	4.7/50	1
AN4	4355716009	CON ASS'Y 6P 180MM MVF-2132	6P	1
CN4	4428595006	LW5267/LWB0640/2.5MM-06P	6P	1
R110-114	S30101037231	RES TF 10K 1/10W 2012	10K	5
R2	S30101047231	RES TF 100K 1/10W 2012	100K	1
R1	S30103037231	RES TF 30K 1/10W 2012	30K	1

#### INPUT VOLUME PART

CN1	4428595004	LW5267/LWB0640/2.5MM-04P	4P	1
-----	------------	--------------------------	----	---

#### USB PART

AN10	4355715713	CON ASS'Y 3P 280MM SHIELD	3P	1
CN10	4428595003	LW5267/LWB0640/2.5MM-03P	3P	1
JK4	4438189210	JACK USB( )	USB SOCKET	1
R55 R73-74	S30100007231	RES TF 0 1/10W 2012	0	3
R71-72	S30101527231	RES TF 1.5K 1/10W 2012	1.5K	2

#### DSP PART

CON12	4428592510	WAFER BOX TPHB03-1419-10A	JTAG	1
IC2	S21213000001	IC TCC730E(TELECHIPS)	TCC730	1
R4-5 R10-15 R22 R45 R57	S30104727231	RES TF 4.7K 1/10W 2012	4.7K	11
C9-11	S35101035331	CAP CE B0.01UF 50V K 0805(2012)	0.01/50	3
C13-15 C35	3409210071-T	CAP AF RSG 10UF 50V 5 P	10/50	4
C17-18 C23-34	S35101045331	CAP CE B 0.1UF 50V Z 0805(2012)	0.1/50	14
C3-4	S35101014331	CAP CE C 100PF 50V J 0805(2012)	100P	2
C5-8	S35102247331	CAP CE F0.22UF 50V Z 0805(2012)	0.22/50	4
R6-7	S30101017231	RES TF 100 1/10W 2012	100	2
R8-9	S30102027231	RES TF 2K 1/10W 2012	2K	2
R3	S30104757231	RES TF 4.7M 1/10W 2012	4.7M	1
R51	S30101557231	RES TF 1.5M 1/10W 2012	1.5M	1
L8	2648609900-T	FERITE BEAD H5B	Bead	1
XTAL2	3908101990	CRYSTAL 32.768KHZ TP38 12.5PF	32.768KHz	1

#### MEMORY PART

J1			HEADER SOCKET	1
IC8			K6R4016V1C	1
C12	S35101014331	CAP CE C 100PF 50V J 0805(2012)	100P	1
IC7	S21235488101	IC SST39VA400A(SST)	SST39VF400A	1
R16-18 R37-38 R75	S30101007231	RES TF 10 1/10W 2012	10	6
IC11	S21235480701	IC K9F5608UOC YCBO(SS)	K9K5068UOM	1
R68	S30104727231	RES TF 4.7K 1/10W 2012	4.7K	1
C16 C22	S35101045331	CAP CE B 0.1UF 50V Z 0805(2012)	0.1/50	2

#### MAIN B'D

IC16			74HC32	1
C47 C66			6P	2
IC17			FM3808	1
R60			1M	1
C44	S35101045331	CAP CE B 0.1UF 50V Z 0805(2012)	0.1/50	1
XTAL1			32.768MHZ	1
Q1-3	2008606101-T	KTC3198L-BL-AT	C 3198	3
SW9	2048904001	SWITCH AP1C	SWITCH AP1C	1
IC0	2128120103	IC AT89C51 ATMEL	AT89C51	1
IC26	2128220600	IC DS 1232(DALLAS)	DS1232	1
IC15	2128501016	IC 74HC573	74HC573	1

IC1	2128514008	IC GD74HC138 G.S	74HC138	1
IC23	2128514021	IC GD74HC08 G.S	74HC08	1
IC4 IC14 IC21-22	2128514039	IC 74HC574	74HC574	4
IC18 IC20 IC24 IC27	2128514041	IC HD74HC245P HT	74HC245	4
IC10	2128720000	IC MAX232CPE	MAX232	1
IC3 IC5 IC25	2138000991	IC ULN2803 MOT	ULN2803	3
AR1-2 AR4 AR8-10	3096103991	RES ARRAY 10K*8 9PIN	104	6
C40-41 C68 C71	3409210071-T	CAP AF RSG 10UF 50V 5 P	10/50	4
C62	3409247974-T	CAP RG 4.7UF 50V 105C	4.7/50	1
OSC	3938100002	OSC 11.0592MHZ DXO-1 5V	11.0592MHz	1
CN5	4428595010	LW5267/LWB0640/2.5MM-10P	10P	1
CN7	4428595009	CON WAFER A2505WV2-09P	9P	1
JK5	4428595910	5569-10A(210)/4.2MM/MH5567-NR	10P	1
D-J	4438191010	D-SUB PLUG(M) 9P	D-SUB PLUG(M) 9P	1
R101-108	S30101017231	RES TF 100 1/10W 2012	100	8
R91	S30101027231	RES TF 1K 1/10W 2012	1K	1
R95	S30101037231	RES TF 10K 1/10W 2012	10K	1
R70	S30104727231	RES TF 4.7K 1/10W 2012	4.7K	1

**power part**

CN9	4428595002	LW5267/LWB0640/2.5MM-02P	2P	1
JK7	4438094610	DC TERMINAL 2P	2P	1
D6-10	2058100996	DIODE RECTIFIER LT1N4006(4007)	1N 4006	5
D11	2058100965	DIODE 1N5822	1N5822	1
F1	5508411239	FUSE#218T 20MM 250MA/250V UCSK	2505MA/250V	1
IC29	2168640978	IC REGULATOR LM2575-5/LB03	LM2575-5	1
L1	S26103312990	COIL SMD 330UH FASTECH	330uH	1
L2-3	2648609600-T	COIL INDUCTOR 10UH A03	10uH	2
L4	S26101013062	COIL ELJFA101	100	1
IC31	S21261030001	IC EZ1086CM SC3.3V(SEMTECH)	EZ1086CM	1
D12-13	S22100500001	DIODE 1N4148 GP SMD	1N 4148	2
HS1	7505299340	HEAT SINK EQ-131	HEATSINK	1
R92	S30105627231	RES TF 5.6K 1/10W 2012	5.6K	1
R93-94	S30101047231	RES TF 100K 1/10W 2012	100K	2
C1 C19 C77-89	S35101045331	CAP CE B 0.1UF 50V Z 0805(2012	0.1/50	15
C20	3419522275	CAP AF HC 2200UF 50V 22P LUG	2200/50	1
C21	3408247171	CAP RSA 470UF 50V SNAP 13 P	470/50	1
C97	3408210271	CAP RSA 1000UF 50V SNAP 16 P	1000/50	1
C109	3409247131-T	CAP AF SG 470UF 16V 10X12.5	470/16	1
C46	3409222171-T	CAP AF RSG 220UF 50V SG 10 P	220/50	1
C54	S35101035331	CAP CE B0.01UF 50V K 0805(2012	0.01/50	1
C70	S35102214330	CAP CE 220PF 50V J 2012	220P	1

**DISPLAY B'D**

SE	2337990257	SEGMENT DC04-14EWB DUAL DIGIT	SEGMENT	1
AN5	4355715908	CON ASS'Y 10P 170MM MVF-2132	10P	1

**SW B'D**

SW1-8	4628985710	TACT THVV501BAA	SW1	8
AN7	4355715404	CON ASS'Y 9P 110MM MVF-2132	9P	1

**VOLUME B'D**

AN1	4355715518	CON ASS'Y 4P 440MM SHIELD	4P	1
R48	3228074710	VR RK11K112010713A	VR 11KA	1

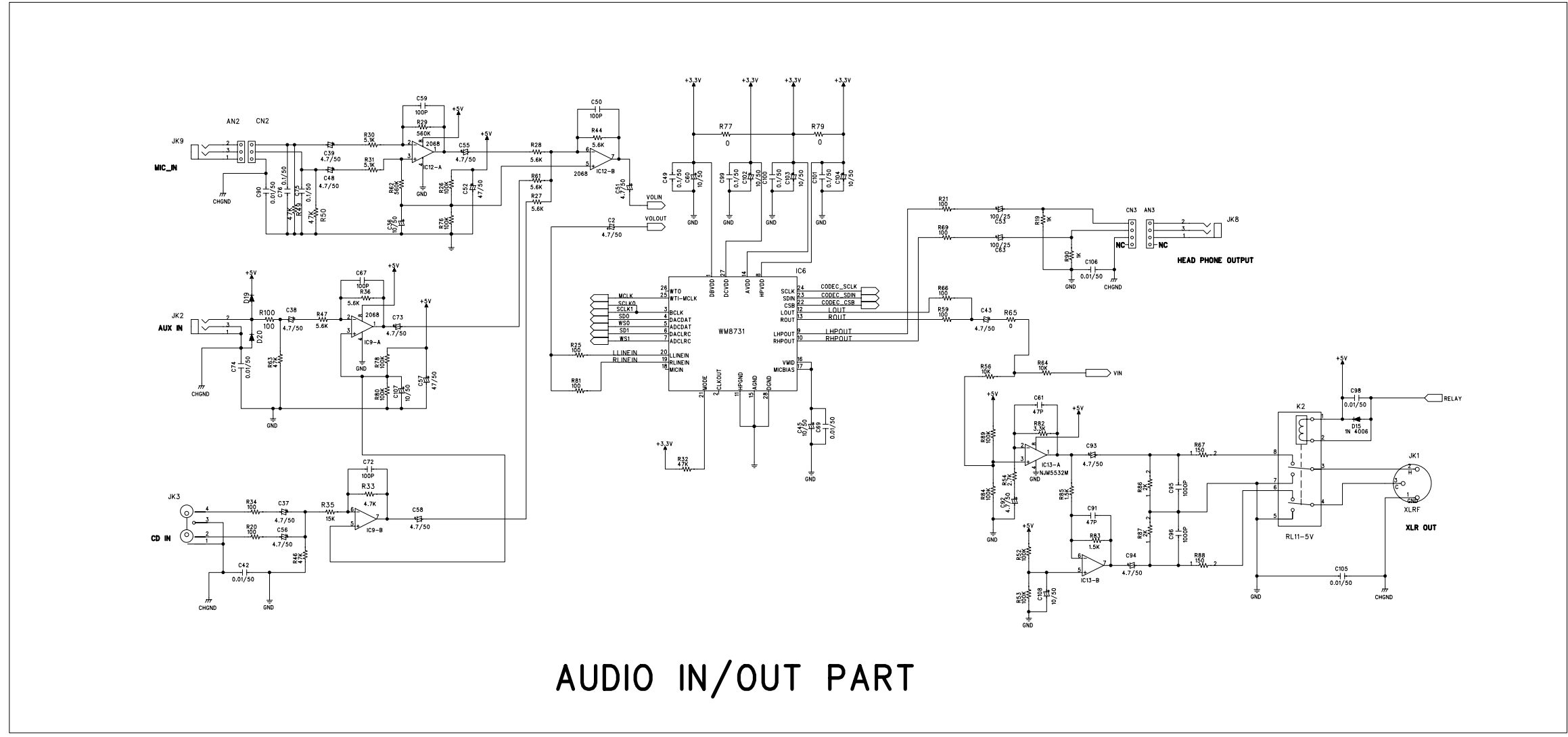
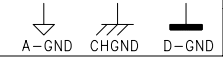
**TRANSFORMER**

PT1	2828055230	POWER TRANS 220V MVF-2132	MVF-2132 PT	1
AN9			3P	1

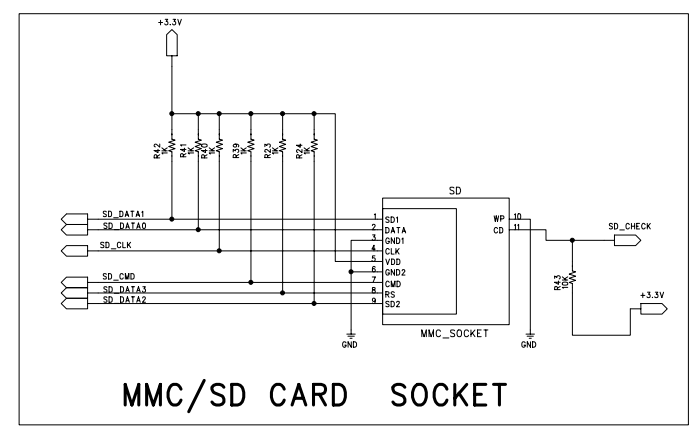
**ACIN**

JK6	4448996810	AC INLET 31.8MM	AC INLET	1
-----	------------	-----------------	----------	---

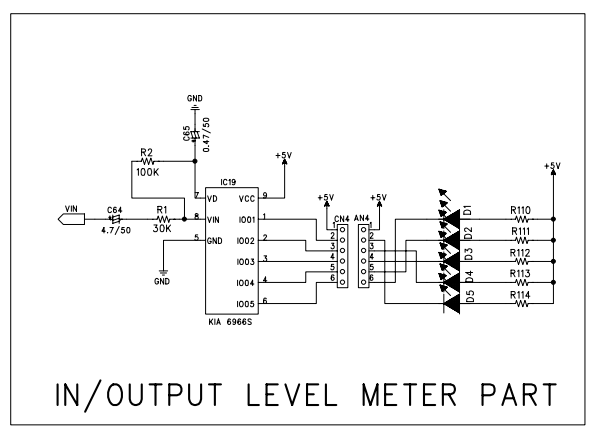
1		2		3		4		5		6		7		8		9	
COMPANY	INTER.M	APPLICANT	REVISED NUMBER AND DATE			DRAWN	CHECKED	APPROVED	NOTE			SIZE	SHEET NO.	SCHEMATIC DIAGRAM			
TYPE CODE		MP	1.	4.	7.							A2	1/3	MODEL : MVF-2132			
APPROVED DATE	03.11.17		2.	5.	8.												
			3.	6.	9.												



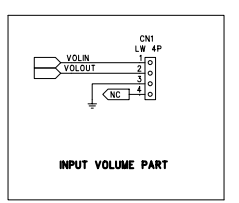
### AUDIO IN/OUT PART



### MMC/SD CARD SOCKET



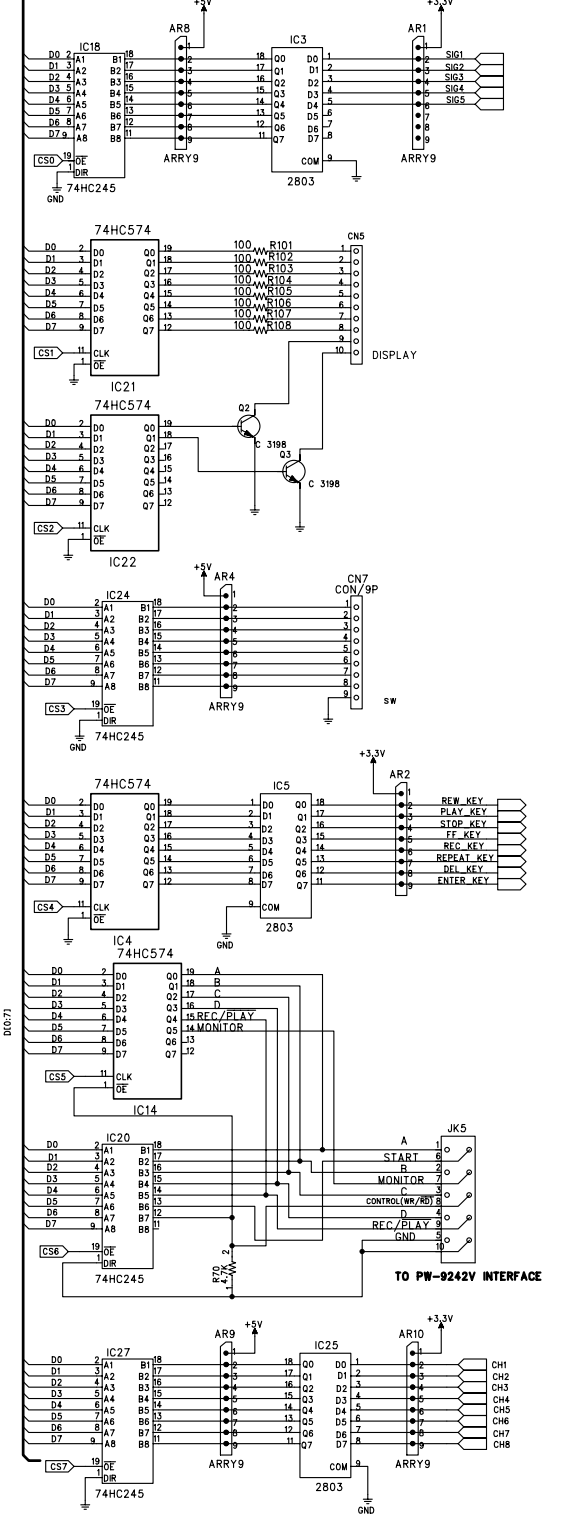
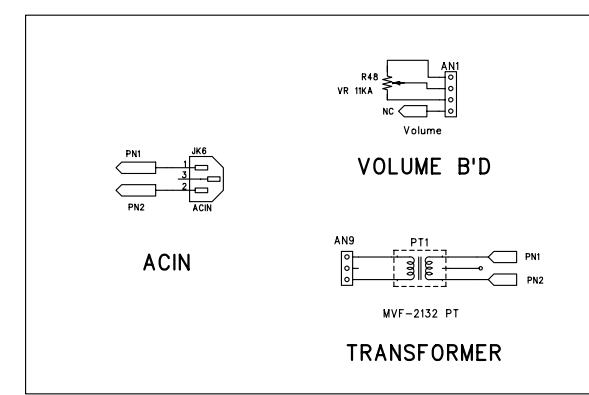
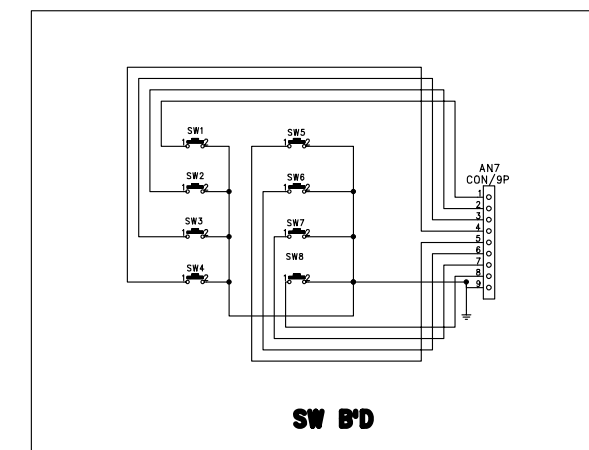
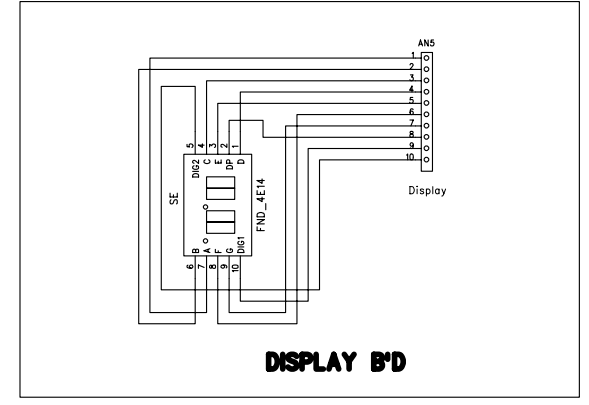
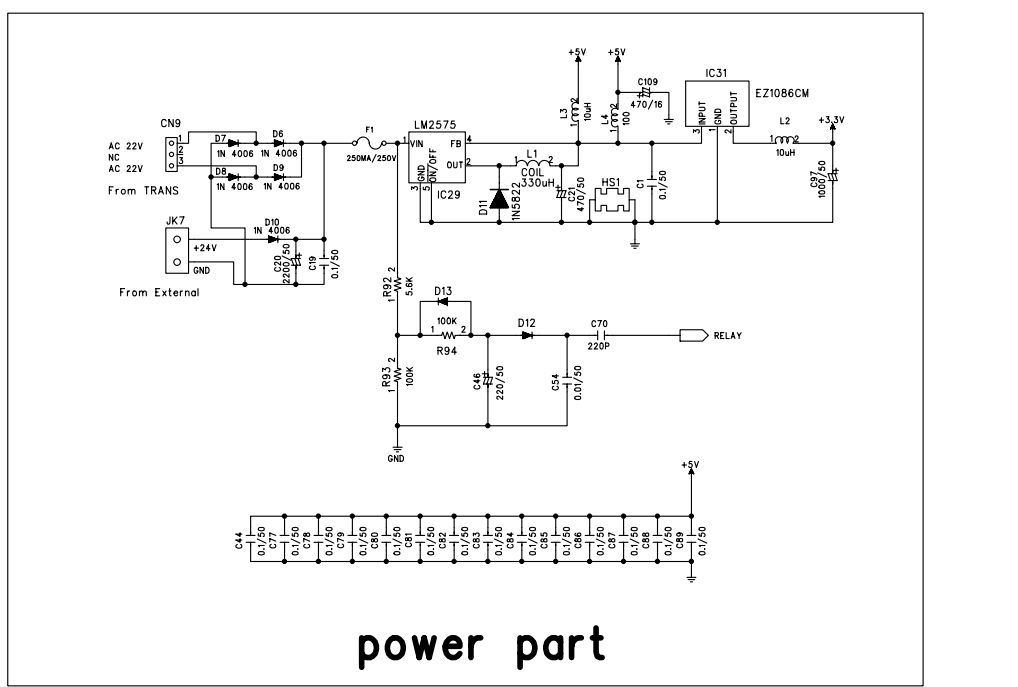
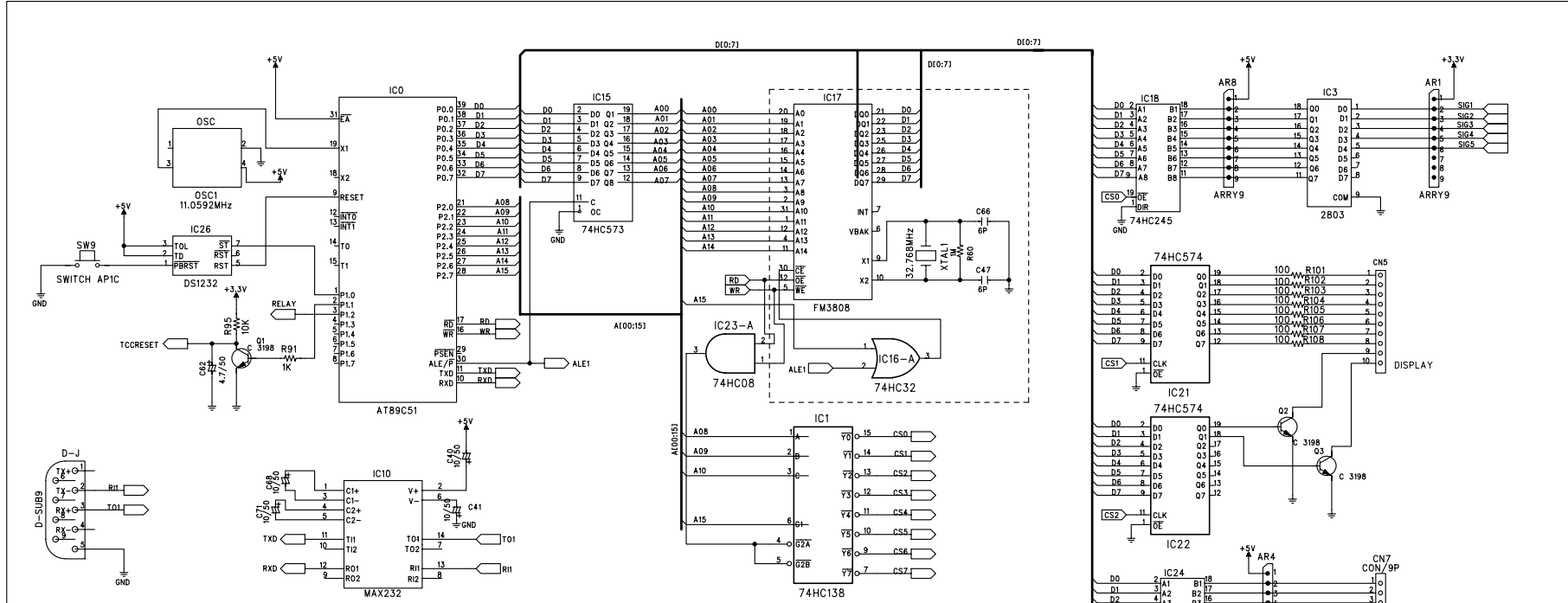
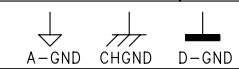
### IN/OUTPUT LEVEL METER PART

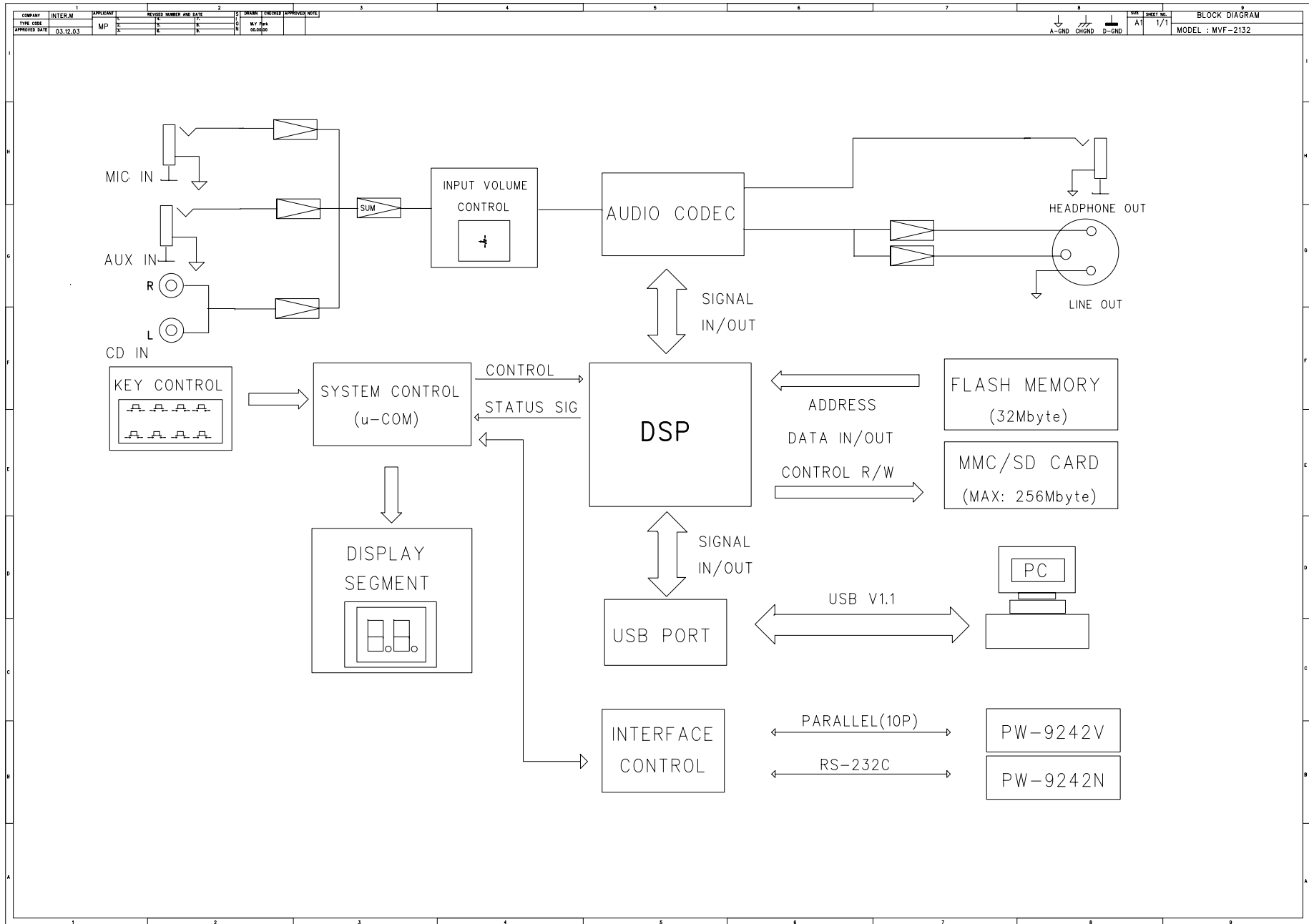


### INPUT VOLUME PART

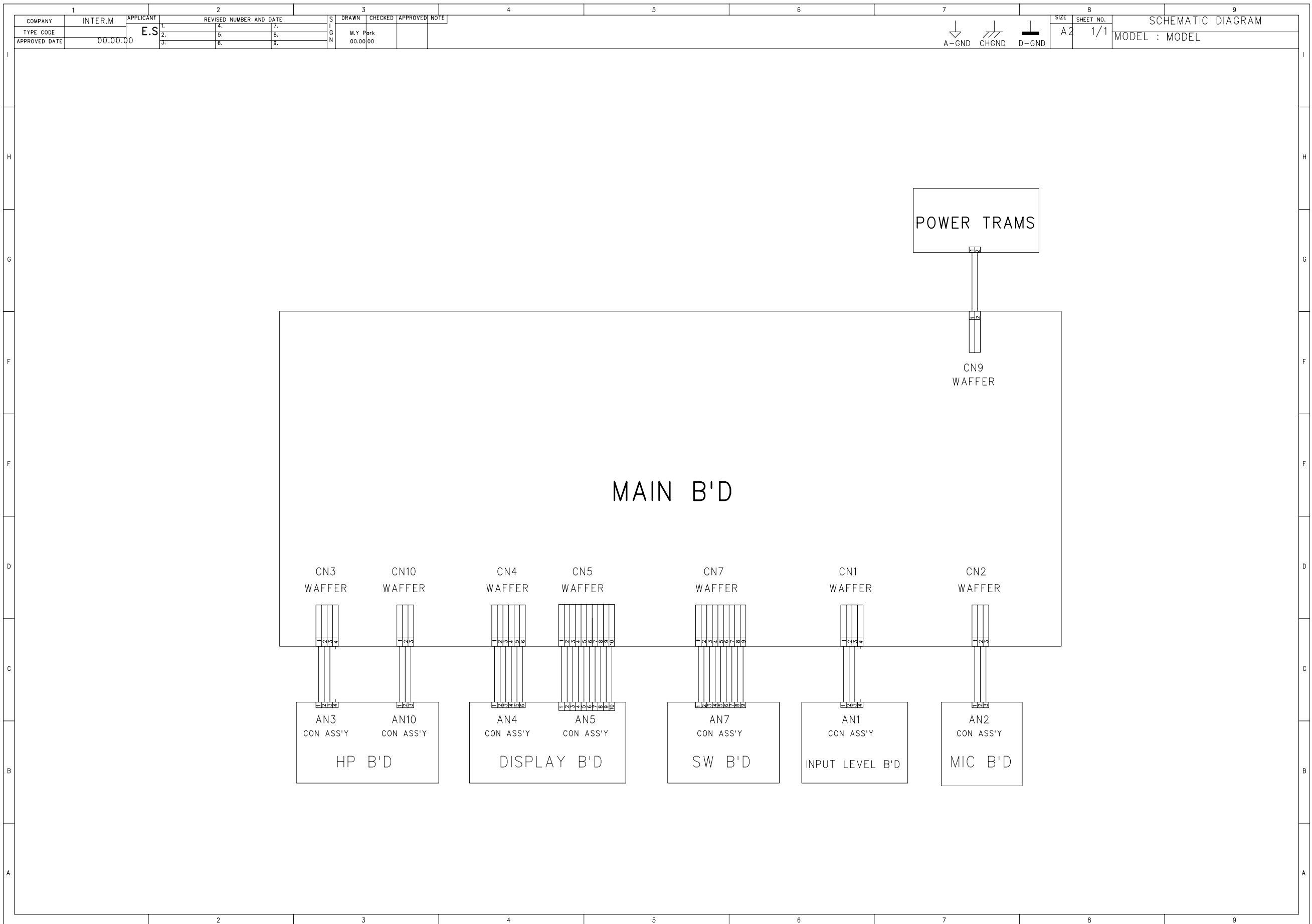


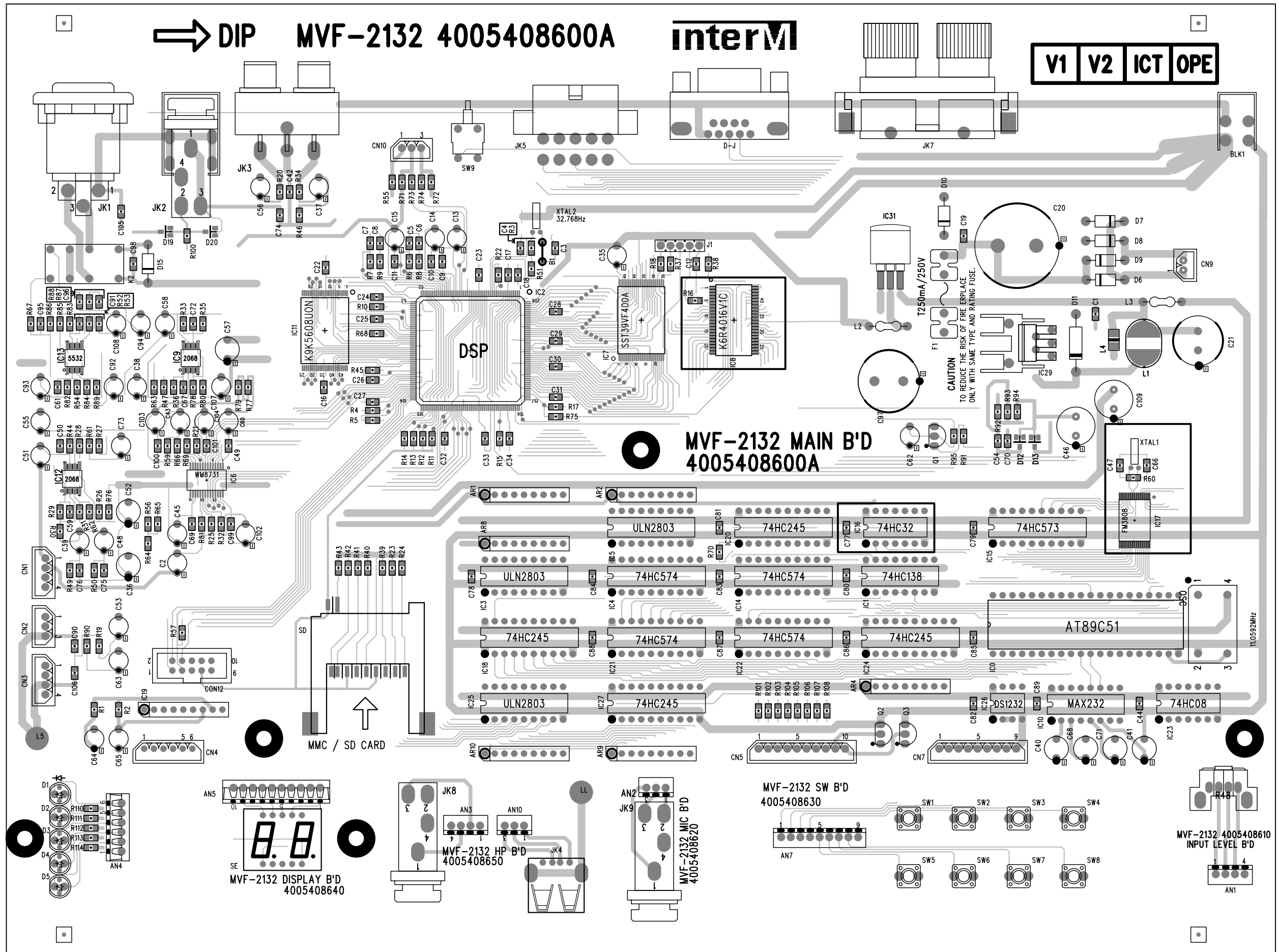
1	2		3			4		5		6		7		8		9	
COMPANY	INTER.M	APPLICANT	REVISED NUMBER AND DATE			DRAWN	CHECKED	APPROVED	NOTE		SIZE		SHEET NO.		SCHEMATIC DIAGRAM		
TYPE CODE	03.11.17	MP	1.	4.	7.						A2	3/3	MODEL : MVF-2132				
APPROVED DATE			2.	5.	8.												











→ DIP MVF-2132 4005408600A

interM

V1	V2	ICT	OPE
----	----	-----	-----

MVF-2132 MAIN B'D  
4005408600A

CAUTION  
TO REDUCE THE RISK OF FIRE REPLACE  
ONLY WITH SAME TYPE AND RATING FUSE.

MVF-2132 SW B'D  
4005408630

MVF-2132 MIC B'D  
4005408620

MVF-2132 HP B'D  
4005408650

MVF-2132 DISPLAY B'D  
4005408640

MVF-2132 4005408610  
INPUT LEVEL B'D

