

SERVICE

MANUAL

AMPLIFIER

PAM-240A/360A

interM

Electrical Parts List (PAM-240A/360A)

Ref No	Part No	Description	Value	Qty
AMP B'D (4005177600)				
BD301-302	2058100979	DIODE BRIDGE (KBP01G/KBP153G)	KBPB 152	2
C205 C305	3539152311-A	CAP CE X 1500PF 16V M AXIAL	0.0015	2
C327-330 C336-339	3509472530-T	CAP CE F 0.0047UF 50V Z	0.0047/50	8
C323 C325	3529104531-A	CAP CE F 100000PF 50V Z	0.1	2
C208 C308 C341	3529103531-A	CAP CE F 10000PF 50V Z	0.01	3
C216-217 C316-317	3509102231-A	CAP CE YB 1000PF 50V K AXIAL	1000P	4
C202 C302 C320	3509101231-A	CAP CE B 100PF 50V K AXIAL	100P	3
C206-207 C306-307	3509220130-T	CAP CE SL 22PF 50V J	22P	4
C204 C304	3509330130-T	CAP CE SL 33PF 50V J	33P	2
D206 D209 D214 D306 D309 D315	2058100996	DIODE RECTIFIER LT1N4006(4007)	1N 4006	6
D201-205 D207-208 D301-302 D304-305 D307-308	2058304100	DIODE IN4148M	1N 4148	13
D210-211 D310-311	2058322100	DIODE 1SS145 ROHM	ISS 142	4
D212-213 D312-313	2058100110	DIODE RL207 PYUNG CHANG	RL207	4
C201 C301	3409810971-T	CAP AF NP 1UF 50V 6 P	1/50 NP	2
C209 C309 C318 C321 C334	3409210071-T	CAP AF RSG 10UF 50V 5 P	10/50	5
C218-219	3409810141-T	CAP AF NP 100UF 25V	100/25 NP	2
C203 C220 C303	3409210141-T	CAP AF RSG 100UF 25V 6 P	100/25	3
C324	3409210171-T	CAP AF RSG 100UF 50V 8 P	100/50	1
C335	3408210261	CAP RSG 1000UF 35V SNAP 16 P	1000/35	1
C212-213 C312-313	3409222901-T	CAP SG 2.2UF 160V	2.2/160	4
C319	3409222071-T	CAP AF RSG 22UF 50V 5 P	22/50	1
C332	3409222171-T	CAP AF RSG 220UF 50V SG 10 P	220/50	1
C333	3409247071-T	CAP AF RSG 47UF 50V 6 P	47/50	1
C322	3419547177	CAP E SD 470UF 50V (10P)	470/50	1
C326	3419582266	CAP AF HE 8200UF 35V 105°C	8200/35	1
C210-211 C310-311	3609103120-T	CAP MA 0.01UF 100V	0.01/100(M)	4
C214-215 C314-315	3609104122-T	CAP MA 0.1UF 100V J SMALL	0.1/100(M)	4
IC202	2118050410	IC TA7317P TOSHIBA	TA 7317P	1
IC301	2118010590	IC NJM4558D JRC	4558	1
IC302	2118011905	KIA7815API-U	7815	1
L201 L301	2648099940	COIL INDUCTOR 1.2UH	1.2uH	2
PO301	2438007993	POSISTOR PTFM04BE222Q2N34B0	BE222TS	1
PO302	2438007995	POSISTOR PTFM04BH471Q2N34B0	BE471TS	1
R244-245 R250-251 R344-345 R350-351	3058828786	RES CE 0.82 5W J T	0.82 5W	8
R210 R310	3009000973	RES CF 0 1/5W JN	0	2
R365	3009122973	RES CF 1.2K 1/5W J N	1.2K	1
R201 R301	3009101973	RES CF 100 1/5W J N	100	2

R234 R237 R334 R337	3089101275	RES NFR 100 1/4W J R PHILKO	FR 100	4
R260	3009104973	RES CF 100K 1/5W J N	100K	1
R261 R360 R363	3009103973	RES CF 10K 1/5W J N	10K	3
R223 R226 R323 R326	3001154953	RES CF 150K 1/5W FN	150K 1%	4
R229-230 R329-330	3009153973	RES CF 15K 1/5W J N	15K	4
R364	3009102973	RES CF 1K 1/5W J N	1K	1
R231 R331	3009222973	RES CF 2.2K 1/5W J N	2.2K	2
R355-356	3009204973	RES CF 200K 1/5W J	200K	2
R224-225 R324-325	3002200953	RES CF 20K 1/5W F N	20K 1%	4
R214 R314	3009221973	RES CF 220 1/5W J N	220	2
R218 R220 R240 R243 R246 R249 R318 R320 R340 R343 R346 R349	3079220275	RES NFR 22 1/4W JR PHILKO	FR 22	12
R203 R255-258 R303 R358-359	3009223973	RES CF 22K 1/5W J N	22K	8
R233 R333	3009271973	RES CF 270 1/5W J N	270	2
R209 R309	3002270953	RES CF 27K 1/5W FN	27K 1%	2
R241-242 R247-248 R341-342 R347-348	3039271575-T	RES MO 270 2W J RADIAL	3.3K 2W	8
R213 R217 R219 R313 R317 R319	3009331973	RES CF 330 1/5W J N	330	6
R357	3009334973	RES CF 330K 1/5W J N	330K	1
R238-239 R338-339	3039330575-T	RES MO 33 2W J RADIAL	33 2W	4
R227-228 R327-328	3009333973	RES CF 33K 1/5W J N	33K	4
R235-236 R335-336	3009163973	RES CF 16K 1/5W JN	16K	4
R253 R353	3089479275	RES NFR 4.7 1/4W J R PHILKO	FR 4.7	2
R252 R352 R354 R254	3039479575-T	RES MO 4.7 2W J RADIAL	4.7/2W	5
R202 R206 R211-212 R215-216 R221-222 R302 R306 R311-312 R315-316 R321-322	3009473973	RES CF 47K 1/5W J N	47K	16
R204-205 R207-208 R304-305 R307-308	3009561973	RES CF 560 1/5W J N	560	8
R361-362	3009563973	RES CF 56K 1/5W J N	56K	2
R232 R332	3009681973	RES CF 680 1/5W J N	680	2
R259	3009822973	RES CF 8.2K 1/5W J N	8.2K	1
RL301	5528009950	RELAY HR-CR3A23 DC 24VH	CR323	1
VR201 VR301	3248347110	RES SEMI RH0614C100471	470	2
Q209 Q212 Q309 Q312	2008405999	TR NPN 2SC4001 NEC	2SC 4001	4
Q219 Q221 Q319 Q321	2028407122	TR NPN 2SC5200 TOSHIBA	2SC 5200	4
Q210 Q310	2008405990-T	KRC102M-AT	KRC 102M	2
Q204-206 Q215 Q304-306 Q315 Q324-325	2008606108-T	KTC3200-BL-AT	KTC3200BL	10
Q214 Q217 Q314 Q317	2028410884	TR NPN 2SC4793 TOSHIBA	2SC4793	5

Q323				
Q207 Q213 Q307 Q313	2008005999	TR PNP 2SA 1546 NEC	2SA 1546	4
Q220 Q222 Q320 Q322	2028107118	TR PNP 2SA1943 TOSHIBA	2SA 1943	4
Q211 Q311	2008606102-T	KRA102M-AT	KRA 102M	2
Q201 Q208 Q216 Q301 Q308 Q316	2008206104-T	KTA1268-BL-AT	KTA 1268BL	6
Q218 Q318	2028110941	TR PNP 2SA1837 TOSHIBA	2SA1837	2
Q202-203 Q302-303	2008206106-T	KTA2400-GR-AT	KTA 2400G	4
ZD201-202 ZD301-302	2058502056	DIODE ZENER UZ-5.6BM(1N5232B)	UZ 5.6BM	4
ZD303	2058501076	DIODE ZENER UZ-7.5B(1N5236B)	UZ 7.5BM	1
AN310A(AN310B)	4355747010	CON ASS'Y,SH,5P,BH0640,BH0640,	5P	1
AN302	4428595006	CON WAFER,BOX(M),6P,ST	6P	1
CN1	4428595005	CON WAFER,BOX(M),5P,ST	5P	1
CN204 CN303-304	4428595003	CON WAFER A2505WV2-03P	3P	3
CN202-203	4428595004	CON WAFER,BOX(M),4P,ST	4P	2
CN301	4355923805	WAFER LW(3.96) 5P JIS	5P	1

MAIN B'D <4005177700>

CR716	3509271231-A	CAP CE B 270PF 50V K AXIAL	270p	1
CR702-704 CR701	3539104531-A	CAP CE Y 100000PF 50V Z AXIAL	0.1	4
CR710 CR709	3529470311-A	CAP CE SL 47PF 50V J AXIAL	47p	2
CR712 CR715 CR705-706	3529300311-A	CAP CE SL 30PF 50V J AXIAL	30p	4
CR714	3509561231-A	CAP CE B 560PF 50V K AXIAL	560p	1
CR717	3529100311-A	CAP CE SL 10PF 50V J AXIAL	10p	1
CR707-708	3509101231-A	CAP CE B 100PF 50V K AXIAL	100p	2
CR711	3509820231-A	CAP CE B 82PF 50V K AXIAL	82p	1
C101-102 C109-111 C718 C724 C733 C737 C750 C752 C765 C781	3409247071-T	CAP AF RSG 47UF 50V 6 P	47/50	13
C705 C703	3409222171-T	CAP AF RSG 220UF 50V SG 10 P	220/50	2
C707-712 C714-715 C717 C719 C721 C107 C726-727 C734 C736 C738 C743 C105 C756-758 C761 C763-764 C766-767 C772 C778 C706 C790	3409210071-T	CAP AF RSG 10UF 50V 5 P	10/50	31
C745 C744	3409247991-T	CAP AF RSG 4.7UF 100V 5 P	4.7/100	2
C747	3409247871-T	CAP AF RSG 0.47UF 50V 5 P	0.47/50	1
C748 C716 C720 C760 C732 C762 C713 C735 C723	3409222071-T	CAP AF RSG 22UF 50V 5 P	22/50	9
C701	3408247171	CAP RSA 470UF 50V SNAP 13 P	470/50	1
C753-754 C746	3409247971-T	CAP AF RSG 4.7UF 50V 5 P	4.7/50	3
C768-769 C728 C775 C751 C749 C725	3409210971-T	CAP AF RSG 1UF 50V 5 P	1/50	8

C722				
C774 C773 C779-780	3409210141-T	CAP AF RSG 100UF 25V 6 P	100/25	4
C702	3409210171-T	CAP AF RSG 100UF 50V 8 P	100/50	1
C759	3409233071-T	CAP AF RSG 33UF 50V 6 P	33/50	1
C729-730	3609333120-T	CAP MA 0.033UF 100V J	0.033(M)	2
C731 C742	3609122120-T	CAP MA 0.0012UF 100V J	0.0012(M)	2
C741	3609472120-T	CAP MA 0.0047UF 100V J	0.0047(M)	1
C770	3609102120-T	CAP MA 0.001UF 100V	0.001(M)	1
C771 C777	3609104122-T	CAP,FILM,POLYESTR,SM,0.1UF,100	0.1(M)	2
C776	3609103120-T	CAP MA 0.01UF 100V	0.01(M)	1
CR748	3509472530-T	CAP CE F 0.0047UF 50V Z	0.0047/50	1
D704 D707 D715	2058100996	DIODE RECTIFIER LT1N4006(4007)	IN4006	3
D701-703D705 D708-714 D7	2058304100	DIODE IN4148M	IN4148	12
C792-793	3409810971-T	CAP,E,NP,NP,85C,1UF,50V,M,5X11	1/50 NP	2
C791	3409210071-T	CAP AF RSG 10UF 50V 5 P	10/50	1
FB101-102	2648609900	FERITE BEAD H5B	ferrite bead	2
IC702	2128740209	IC BXA4230K	IC BXA4230K	1
IC703-705 IC707-708	2118010590	IC NJM4558D JRC	4558	5
IC706	2118012032	IC NJM4560D JRC	4560D	1
IC701	2128610400	IC 7824 COMMON	7824	1
IC709	2128610900	IC KA7815 COMMON	7815	1
CH1	4438193710	JACK,XLR(F),1U,3P,AN	XLR JACK	1
C755	3609822120-T	CAP MA 0.0082UF 100V	0.0082/100	1
C739-740	3609104122-T	CAP,FILM,POLYESTR,SM,0.1UF,100	0.1/100(M)	2
R705	3039152575-T	RES MO 1.5K 2W J RADIAL	1.5K 2W	1
R706 R757	3009332973	RES CF 3.3K 1/5W J N	3.3K	2
R751-753 R767-768 R801 R813	3009103973	RES CF 10K 1/5W J N	10K	7
R709-711 R716-718 R754 R834-835	3009473973	RES CF 47K 1/5W J N	47K	9
R720 R764 R775 R713	3009183973	RES CF 18K 1/5W J N	18K	4
R724-725 R728 R733-734 R738 R721-722 R793 R799 R829 R723 R840 R714 R931	3009153973	RES CF 15K 1/5W J N	15K	15
R729 R739	3009133973	RES CF 13K 1/5W J N	13K	2
R740 R770 R778-779	3009302973	RES CF 3K 1/5W J N	3K	4
R744 R760 R774 R787 R828 R735	3009100973	RES,MF,10,1/5W,5%,AX N,TA	10	6
R758-759 R762-763 R741 R731 R742 R783-784 R732 R727 R810 R819-820 R823-824 R726 R832 R736-737	3009563973	RES CF 56K 1/5W J N	56K	20
R730 R761	3009202973	RES CF 2K 1/5W J N	2K	2

R780	3009152973	RES CF 1.5K 1/5W J N	1.5K	1
R781 R776-777	3009331973	RES CF 330 1/5W J N	330	3
R766 R747	3009123973	RES CF 12K 1/5W J N	12K	2
R786	3009392973	RES CF 3.9K 1/5W J N	3.9K	1
R748	3009222973	RES CF 2.2K 1/5W J N	2.2K	1
R788 R932	3009224973	RES CF 220K 1/5W J N	220K	2
R789 R796 R815 R771 R830	3009393973	RES CF 39K 1/5W J N	39K	5
R795	3009106973	RES CF 10M 1/5W J N	10M	1
R790	3009225973	RES CF 2.2M 1/5W J N	2.2M	1
R797 R791	3009334973	RES CF 330K 1/5W J N	330K	2
R800 R805-806 809 R745-746 R794	3009104973	RES CF 100K 1/5W J N	100K	7
R808 R821	3009274973	RES CF 270K 1/5W J N	270K	2
R811 R769 R712 R719	3009223973	RES CF 22K 1/5W J N	22K	4
R798 R792 R755 R803 R814	3009472973	RES CF 4.7K 1/5W J N	4.7K	5
R707	3009221973	RES CF 220 1/5W J N	220	1
R822 R772-773 R825-827 R782 R765	3009102973	RES CF 1K 1/5W J N	1K	8
R804 R785 R756	3009752973	RES CF 7.5K 1/5W J N	7.5K	3
R750	3009561973	RES CF 560 1/5W J N	560	1
R749	3009203973	RES CF 20K 1/5W J N	20K	1
R831 R816	3009683973	RES CF 68K 1/5W J N	68K	2
R715 R812 R708	3009220973	RES CF 22 1/5W J N	22	3
R817	3009330973	RES CF 33 1/5W J N	33	1
R818	3009101973	RES CF 100 1/5W J N	100	1
R743	3009303973	RES CF 30K 1/5W J N	30K	1
R807	3009105973	RES CF 1M 1/5W J N	1M	1
R930	3009181973	RES CF 180 1/5W J N	180	1
R701	3039100575-T	RES MO 10 2W JR	10/2W	1
R703-704 R802	3039479575-T	RES MO 4.7 2W J RADIAL	4.7/2W	3
R702	3059569786	RES,CE,WW,5.6,5W,5%,RA R	5.6/5W	1
RLY1-3	5528999700	RELAY 876AN2-2C-S 24VDC	24VDC	3
Q701	2028406114	TR,PW,NPN,5A,100V,KTD2059,TO-2	D2059	1
Q702	2028406113	TR,PW,NPN,3A,60V,KTD2058,TO-22	D2058	1
Q703-705 Q707-708	2008606104-T	TR NPN KTC3198-Y-AT TO-92	C3198	5
Q709 Q706	2008606101-T	KTC3198L-BL-AT	C3198BL	2
SVR701-702	3248310220	RES SEMI RH0615C100102	1K	2
SVR703-704	3248347320	RES RH0615C100473	47K	2
VR701-707	3228074710	VR,ROT,HOR,1U,BUSH,L22.5,10K,A	10KA	7
VR708-709	3228074910	VR RK09K115020153B	50KB	2
ZD701	2058502180	DIODE ZENER UZ-18BM(1N5248B)	18BM	1
ZD703	2058502056	DIODE ZENER UZ-5.6BM(1N5232B)	5.6BM	1
AN1	4355799516	CON ASS'Y,FL,5P,5395,5264,360M	5p	1
CN4	4428598313	CON WAFER,LOCK(M),13P,ST	13P	1
AN310	4355463412	CON ASS'Y 2P 250MM	2P	

CN6	4428595002	CON WAFER,BOX(M),2P,ST	2P	1
CN301	4428595002	CON WAFER,BOX(M),2P,ST	2P	1
AN203	4355801214	CON ASS'Y,FL,4P,5264,BH0640,30	4P	1
AN311	4355463501	CON ASS'Y 4P 80MM	4P	
CN5	4428595004	CON WAFER A2505WV2-04P	4P	1
AN8, 9	4428598304	CON WAFER,LOCK(M),4P,ST	4P	2
CN7, CN10	4428595005	CON WAFER,BOX(M),5P,ST	5P	2

DISPLAY & LED B'D <4005177740/4005177750>

R922	3009103973	RES CF 10K 1/5W J N	10K	1
R910-913 R917 R919-920	3009122973	RES CF 1.2K 1/5W J N	1.2K	7
R904	3009184973	RES CF 180K 1/5W J N	180K	1
R902	3009223973	RES CF 22K 1/5W J N	22K	1
R907-909 R915	3009272973	RES CF 2.7K 1/5W J N	2.7K	4
R906	3009393973	RES CF 39K 1/5W J N	39K	1
R901	3009394973	RES CF 390K 1/5W J N	390K	1
R905 R921	3009473973	RES CF 47K 1/5W J N	47K	2
R903	3009683973	RES CF 68K 1/5W J N	68K	1
R923	3009752973	RES CF 7.5K 1/5W J N	7.5K	1
C903	3409210971-T	CAP AF RSG 1UF 50V 5 P	1/50	1
C901-902 C904	3409247971-T	CAP AF RSG 4.7UF 50V 5 P	4.7/50	3
IC901-902	2118030405	IC,DRIVER,LED METER,KIA6966S,S	KTA6966S	2
U1	2128770100	IC EM57P300AP(KOREAN)	EM57P300	1
Q902	2008405990-T	KRC102M-AT	KRC 102M	1
Q901	2008606104-T	TR NPN KTC3198-Y-AT TO-92	C3198	1
R914	3002180953	RES CF 18K 1/5W FN	18K 1%	1
LED1	2308000135	LTL-1CHEO11A LITEON	POWER	1
LED2	2308000135	LTL-1CHEO11A LITEON	PROT	1
LED3	2300032105	LED,RND 3.1MM,GRN,DIF,1U,ST2.5	-19	1
LED4	2300032105	LED,RND 3.1MM,GRN,DIF,1U,ST2.6	-14	1
LED5	2300032105	LED,RND 3.1MM,GRN,DIF,1U,ST2.7	-11	1
LED6	2300032105	LED,RND 3.1MM,GRN,DIF,1U,ST2.8	-8	1
LED7	2300032105	LED,RND 3.1MM,GRN,DIF,1U,ST2.9	-6	1
LED8	2300032105	LED,RND 3.1MM,GRN,DIF,1U,ST2.10	0	1
LED9	2300032105	LED,RND 3.1MM,GRN,DIF,1U,ST2.11	2	1
R844	3009182973	RES CF 1.8K 1/5W J N	1.8K	1
R843	3009333973	RES CF 33K 1/5W J N	33K	1
R841	3009564973	RES CF 560K 1/5W J N	560K	1
R842	3009683973	RES CF 68K 1/5W J N	68K	1
C792-793	3409810971-T	CAP AF NP 1UF 50V 6 P	1/50 NP	2
CR740-743	3509102530-T	CAP CE B 0.001UF 50V J	0.001/50	4
CR722	3539103521-A	CAP CE YF 10000PF 50V Z AXIAL	0.01	1
CR718-721 CR744-745	3569104933-T	CAP MONO CE 0.1UF 50V	0.1/50	6
CR713	3539472331-A	CAP CE X 4700PF 16V M AXIAL	0.0047	1
D801	2058502043	DIODE ZENER UZ-4.3BM(1N5229B)	UZ 4.3BM	1

ZD704	2058502056	DIODE ZENER UZ-5.6BM(1N5232B)	5.6BM	1
AN4	4355462118	CON ASS'Y 16P 420MM PAM-240A/3	16P	1
AN302	4355801021	CON ASS'Y,FL,6P,5264,BH0640,51	6P	1
CN403	4428595003	CON WAFER A2505WV2-03P	3P	1
TER1	4465997605	TERMINAL,SCREW,5P,10MM,2/ST	terminal	1
JACK3-4	4438097310	JACK PHONE 4P	jack	2
CR726-727	3539102231-A	CAP CE YP 1000PF 50V K AXIAL	1000p	2

INPUT B'D <4005411800>

C108	3609272120-T	CAP MA 0.0027UF 100V J	0.0027(M)	6
C103 C104 C106	3409222071-T	CAP AF RSG 22UF 50V 5 P	22/50	18
CR109	3509271231-A	CAP CE B 270PF 50V K AXIAL	270p	6
CR106-107	3509121231-A	CAP CE B 120PF 50V K AXIAL	120p	12
CR108	3529050311-A	CAP CE SL 5P 50V C AXIAL	5p	6
CR110	3529330311-A	CAP CE SL 33PF 50V J AXIAL	33P	6
CR103-105 CR102	3539102231-A	CAP CE YP 1000PF 50V K AXIAL	1000p	24
CR101	3539103521-A	CAP,CE,SEMI,Y5V,0.01UF,50V,Z,A	0.01	1
IC101-102	2168220989	IC NJM 2068L JRC	2068L	6
R124	3009100973	RES CF 10 1/5W J N	10	6
R109 R110	3009221973	RES CF 220 1/5W J N	220	12
R106 R108	3009332973	RES CF 3.3K 1/5W J N	3.3K	12
R121	3009154973	RES CF 150K 1/5W J N	150K	6
R125	3009470973	RES CF 47 1/5W J N	47	6
R120	3009184973	RES CF 180K 1/5W J N	180K	6
R119 R122	3009272973	RES CF 2.7K 1/5W J N	2.7K	2
R111 R114	3009132973	RES CF 1.3K 1/5W J N	1.3K	12
R115	3003220953	RES CF 2.2K 1/5W F N	2.2K 1%	6
R118	3004274953	RES CF 274 1/5W FN	274 1%	6
R101-102	3009682973	RES CF 6.8K 1/5W J N	6.8K	12
R103-104	3009474973	RES CF 470K 1/5W J N	470K	12
R105 R107	3009430973	RES CF 43 1/5W J N	43	12
R117	3009000973	RES CF 0 1/5W JN	0	6
R113 R112 R116 R123	3009103973	RES CF 10K 1/5W J N	10K	24
VR101	3228074810	VR RK09K111020153C	50KC	6
VR102-104	3238089910	VR,ROT,HOR,1U,L22.5,50K,B,CC	50KB	18

SPEAKER SELECTOR B'D <4005177710>

IC1	2118010590	IC NJM4558D JRC	4558	1
BD601	2058100103	DIODE,BR,25A,400V,KBPC2504,KBP	KBPC 2504W	1
D607-611	2058100996	DIODE RECTIFIER LT1N4006(4007)	1N 4006	5
D601-606 D612-616	2058304100	DIODE IN4148M	1N 4148	11
CR601	3549472407	CAP,CE,AC,Y2/X1,4700PF,250VAC,	0.0047/400V	1
CR604-605	3529560311-A	CAP,CE,TEMP,SL,56PF,50V,J,AX,T	56P/50V	2
CR602-603	3619474153	CAP POLY TM 0.47UF 250V	0.47/250	2
C783-784 C789	3409210059-T	CAP,E,SM,RG,105C,10UF,50V,M,5X	10/50	3
C782 C785	3409222071-T	CAP AF RSG 22UF 50V 5 P	22/50	2
C601-602	3419022205	CAP AF RSG 22UF 50V 5 P	2200/160	2
Q601-610	2008606108-T	KTC3200-BL-AT	KTC3200BL	10

R601-610 R850-851 R854-855 R859	3009103973	RES,MF,10K,1/5W,5%,AX N,TA	10K	15
R614 R618 R622 R626 R630	3009332973	RES CF 3.3K 1/5W J N	3.3K	5
R637-638	3009472973	RES,MF,4.7K,1/5W,5%,AX N,TA	4.7K	2
R612-613 R616-617 R620-621 R624-625 R628-629	3009473973	RES CF 47K 1/5W J N	47K	10
R852-853 R856 R860	3009563973	RES CF 56K 1/5W J N	56K	4
R611 R615 R619 R623 R627 R861	3009100973	RES CF 10 1/5W J N	10	6
RL601-605	5528007500	RELAY DH24D2-0 24V (DAIICHI)	DH24D2 24V	5
SW1	4648098410	SW PS-5-W7AV	POWER SW	1
SW606	4628984010	SW,PUSH,HOR,DPDT,NS,1U,BKT,L17	SW	1
SW607	4628098510	SW PUSH SPUL19X2M021	SW	1
AN6	4355857810	CON ASS'Y,DS,2P,5295,5264,200M	2P	1
CN310	4428595002	CON WAFER,BOX(M),2P,ST	2P	1
CN311	4428595004	CON WAFER,BOX(M),4P,ST	4P	1
CN401	4428595006	CON WAFER,BOX(M),6P,ST	6P	1
CN601	4355923805	WAFER LW(3.96) 5P JIS	5P	1
CN604	4428596612	CON WAFER,LOCK(M),12P,ST	12P	1
CN605	4428595007	CON WAFER A2505WV2-07P	7P	1
CN606	4355923801	CON WAFER B3P-VH JST(3.96)	JST 3P	1
CN607	4355923803	CONNECTOR WAFER 03P(J.ST)	3P	1
P603	4355789213	CON ASS'Y,DS,1P,250T08,P2.6,27	1P	1
P604-605	4355789313	CON ASS'Y,DS,1P,250T08,P2.6,27	1P	2
P606	4355789413	CON ASS'Y,DS,1P,250T08,P2.6,27	1P	1

POWER IN B'D <4005177720>

IC401	2118010590	IC NJM4558D JRC	4558	1
ZD705	2058502056	DIODE ZENER UZ-5.6BM(1N5232B)	5.6BM	1
R402-403 R407 R409	3009103973	RES CF 10K 1/5W J N	10K	4
R404-406 R408	3009123973	RES CF 12K 1/5W J N	12K	4
R927	3009225973	RES,MF,2.2M,1/5W,5%,AX N,TA	2.2M(1/5W)	1
C403	3409222071-T	CAP AF RSG 22UF 50V 5 P	22/50	1
C401-402 C404	3409247071-T	CAP AF RSG 47UF 50V 6 P	47/50	3
C1000	3549472407	CAP,CE,AC,Y2/X1,4700PF,250VAC,	(100+0.33)	1
CR407	3529560311-A	CAP CE SL 56PF 50V J AXIAL	56P	1
CR405-406 CR731-732	3509102231-A	CAP CE YB 1000PF 50V K AXIAL	1000P	4
CR723	3539103521-A	CAP CE YF 10000PF 50V Z AXIAL	0.01	1
J1-2	4438097310	JACK PHONE 4P	PHONE 4P	2
JK401	4438192010	D-SUB JK 15P	D-SUB 15P	1
CN8	4355923804	CONNECTOR WAFER 04P (J.ST)	4P	1
SGND	4355462210	CON ASS'Y YL/GN 200MM	1P	1
AC1	4448599010	AC INLET (B'D IN TYPE)	220V	1
AN5	4355747117	CON ASS'Y,SH,4P,5264,BH0640,35	4P	1
AN301	4355763617	CON ASS'Y,DS,12P,BH0640,BH0640	12P	1

AN401	4355801018	CON ASS'Y,FL,6P,5264,BH0640,42	6P	1
AN403	4428595003	CON WAFER A2505WV2-03P	3P	1

SPEAKER LED B'D <4005177770>

R501-506	3009392973	RES CF 3.9K 1/5W J N	3.9K	6
LD501-506	2306050101-T	LED RED BL-B5138	RED	6
AN605	4355820500	CON ASS'Y,FL,7P,35022,5264,100	7P	1

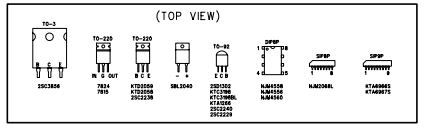
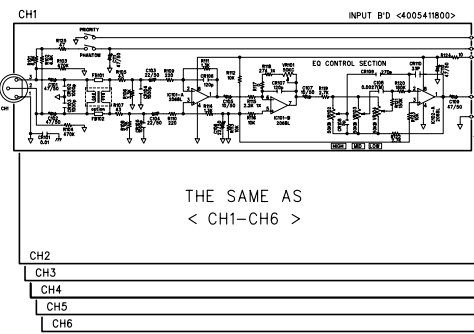
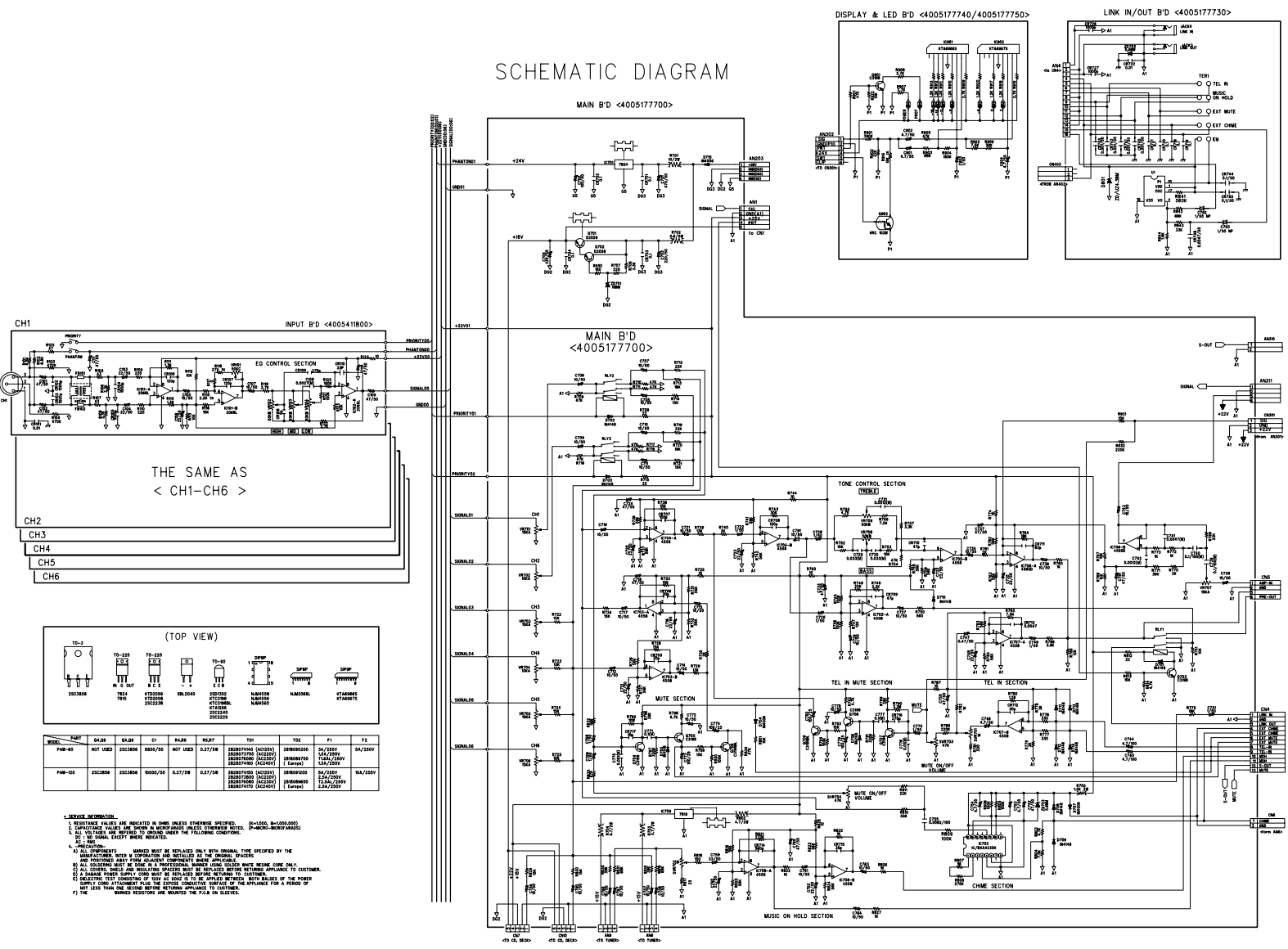
TERMINAL B'D <4005177760>

CR746-747 CR749-756	3509103530-T	CAP CE F 0.01UF 50V Z	0.01/50	10
R637-638	3009472973	RES CF 4.7K 1/5W J N	4.7K	2
TER601	4465997605	TERMINAL SCREW (D 5P)	TERMINAL SCREW	1
AN604	4428596612	LOCK WAFER LW-1143-12P	12P	1
AN202	4355801214	CON ASS'Y 4P FLAT 300MM PAM	4P	1
SW609	4618001110	SW SV10020-0202-9T-SN	SW	1

ASS'Y

PT (PAM-240A)	2828054500	TRANS POWER PAM-240A 120V	pam-240a <E -120V>	1
	2828054510	TRANS POWER PAM-240A 220V	pam-240a < -220V>	
	2828054520	TRANS POWER PAM-240A 230V	pam-240a <R -230V>	
	2828054530	TRANS POWER PAM-240A 240V	pam-240a <C,D -240V>	
PT (PAM-360A)	2828054400	TRANS POWER PAM-360A 120V	pam-360a <E -120V>	1
	2828054410	TRANS POWER PAM-360A 220V	pam-360a < -220V>	
	2828054420	TRANS POWER PAM-360A 230V	pam-360a <R -230V>	
	2828054430	TRANS POWER PAM-360A 240V	pam-360a <C,D -240V>	
AC CORD	4308997310	AC CORD SET,3P,7A,250VAC,K,220	C D E R	1
	4308996710	AC CORD,3P,10A,250VAC,V,2500MM		
	4308998000	AC CORD SET,3P,7.5A,250VAC,SAA		
	4308999310	AC CORD SET,3P,10A,125VAC,U,20		
	4308999410	AC CORD SET,3P,16A,250VAC,V,22		
FUZE (AMP B'D)	5508412239	FUZE,20MM,T,1A,250V,K/U/CS/J	pam-240a/360a < >	1
	5508412729	FUZE,20MM,T,2A,250V,K/U/CS/J	pam-240a/360a < >	2
FUZE (MAIN B'D)	5508413239	FUZE,20MM,T,4A,250V,K/U/CS/J	-240a/360a < , C, D,	1
	5508413539	FUZE,20MM,T,6.3A,250V,K/U/CS/J	pam-240a <E >	
	5508213739	FUZE,20MM,F,8A,250V,K/U/CS/J	pam-360a <E >	

SCHEMATIC DIAGRAM



MODEL	PART	04.03	04.03	C1	04.03	04.07	T01	T02	F1	F2
PAM-60	NSC2606	NSC2606	8000/750	NSC2606	NSC2606	NSC2606	NSC2606 (1232V)	NSC2606 (1232V)	NSC2606 (1232V)	NSC2606 (1232V)
PAM-102	NSC2606	NSC2606	8000/750	NSC2606	NSC2606	NSC2606	NSC2606 (1232V)	NSC2606 (1232V)	NSC2606 (1232V)	NSC2606 (1232V)

1. SERVICE INFORMATION

2. RESISTANCE VALUES ARE INDICATED IN OHMS UNLESS OTHERWISE SPECIFIED. (Ω=100, M=1000,000)

3. RESISTANCE VALUES ARE GIVEN IN RESPECTIVE UNLESS OTHERWISE NOTED. (Ω=OHMS, K=KILOHMS, M=MEG OHMS)

4. ALL VALUES ARE REFERRED TO AMBIENT TEMPERATURE UNLESS OTHERWISE SPECIFIED.

5. ALL COMPONENTS:

A) ALL COMPONENTS MARKED MUST BE REPLACED ONLY WITH ORIGINAL TYPE SPECIFIED BY THE MANUFACTURER. REFER TO OPERATOR'S MANUAL FOR ORIGINAL PARTS LIST AND REPLACEMENT PARTS.

B) ALL CAPACITORS MUST BE REPLACED WITH THE SAME TYPE AND VALUE UNLESS OTHERWISE SPECIFIED IN THE OPERATOR'S MANUAL.

C) ALL CONNECTING WIRES AND INSULATING TAPES MUST BE REPLACED BEFORE RETURNING APPLIANCE TO CUSTOMER.

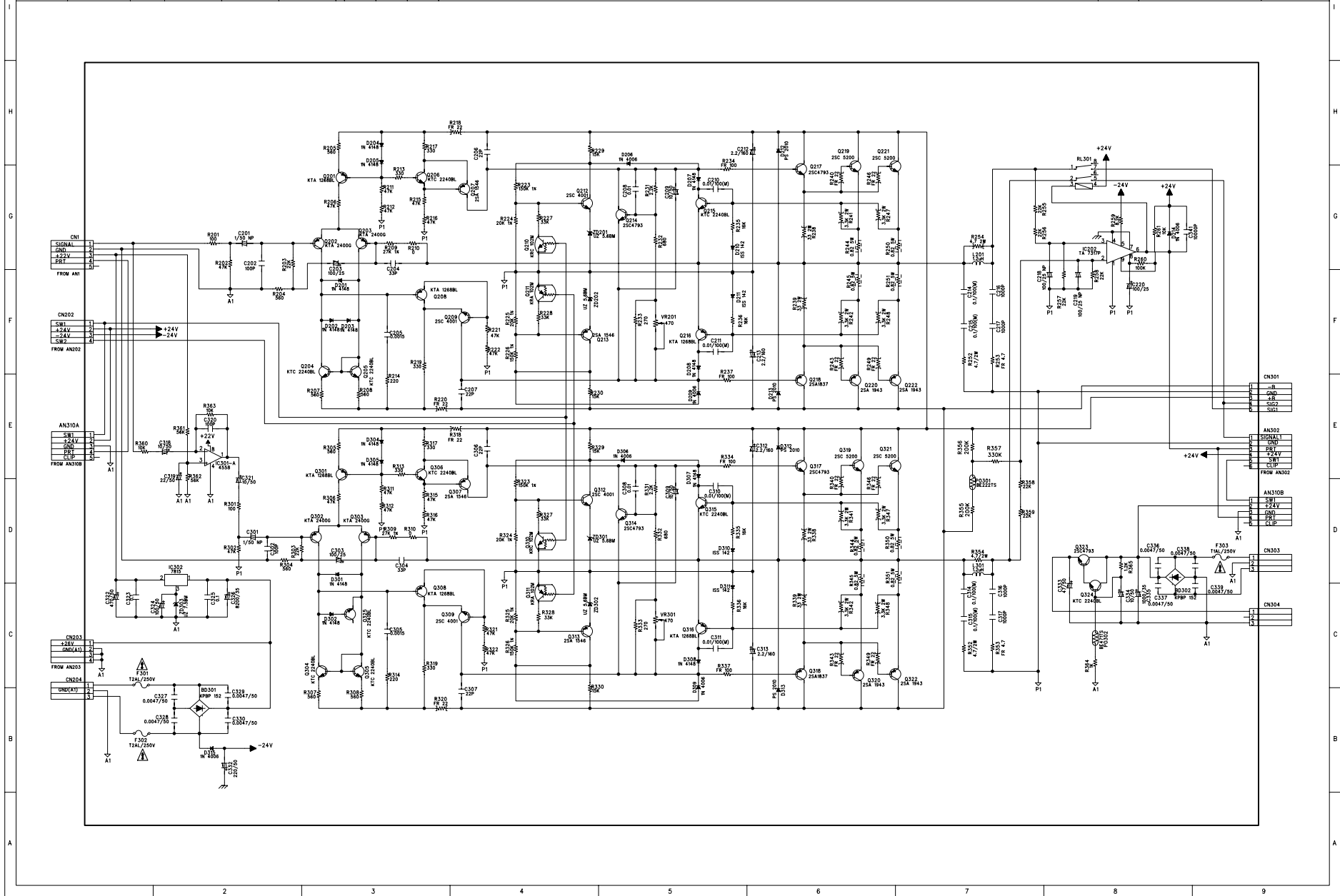
D) LABELING MUST BE IDENTICAL TO ORIGINAL EQUIPMENT. LABELS MUST BE IDENTICAL TO THE ORIGINAL.

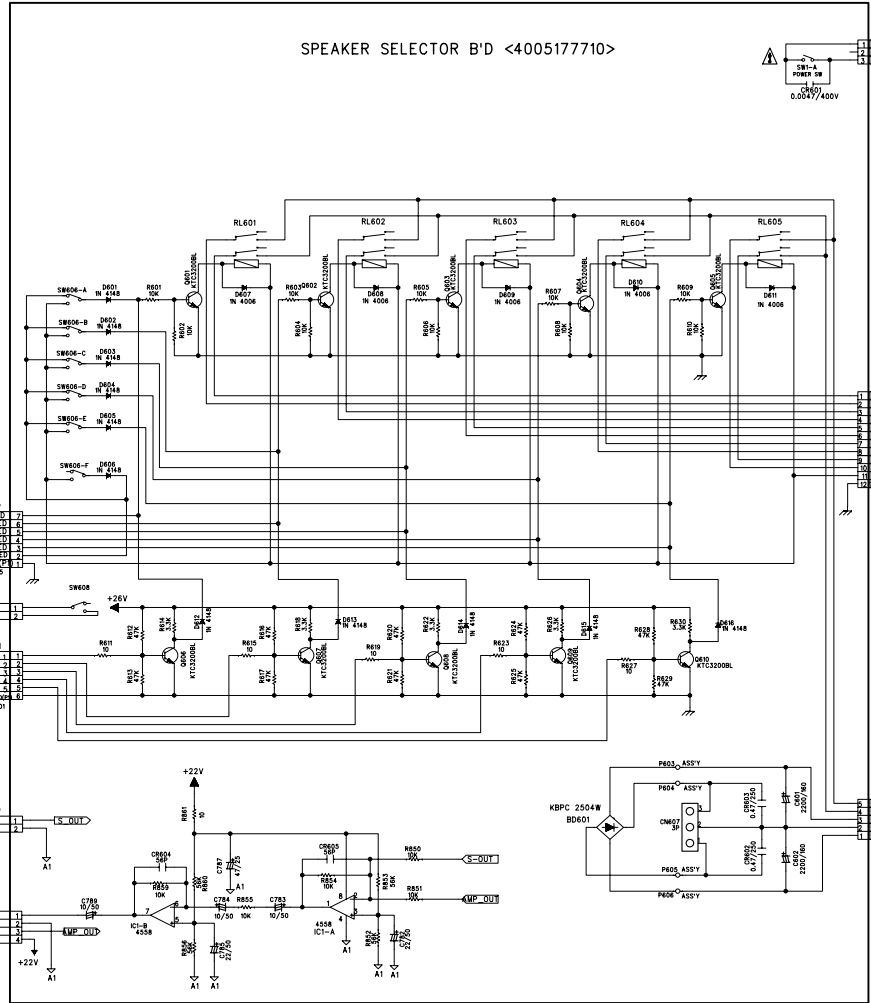
E) ALL COMPONENTS MUST BE REPLACED WITH THE ORIGINAL TYPE SPECIFIED BY THE MANUFACTURER. REFER TO OPERATOR'S MANUAL FOR ORIGINAL PARTS LIST AND REPLACEMENT PARTS.

F) THE MARKED RESISTORS ARE MOUNTED ON SLEEVES.

1	2	3	4	5	6	7	8	9	
COMPANY	INTER.M	APPLICANT	REVISED NUMBER AND DATE		S	DRAWN	CHECKED	APPROVED	NOTE
TYPE CODE		PS	1.	4.	7.				
APPROVED DATE	2004.3.17		2.	5.	8.				
			3.	6.	9.				

SHEET NO. 1/3
SCHEMATIC DIAGRAM
MODEL : PAM-240A/360A





"To reduce the risk of fire
replace only with same type fuse as followings."

F1 : T4AL/250V
F301 : T2AL/250V
F302 : T2AL/250V
F303 : T1AL/250V

