

**SERVICE**

**MANUAL**

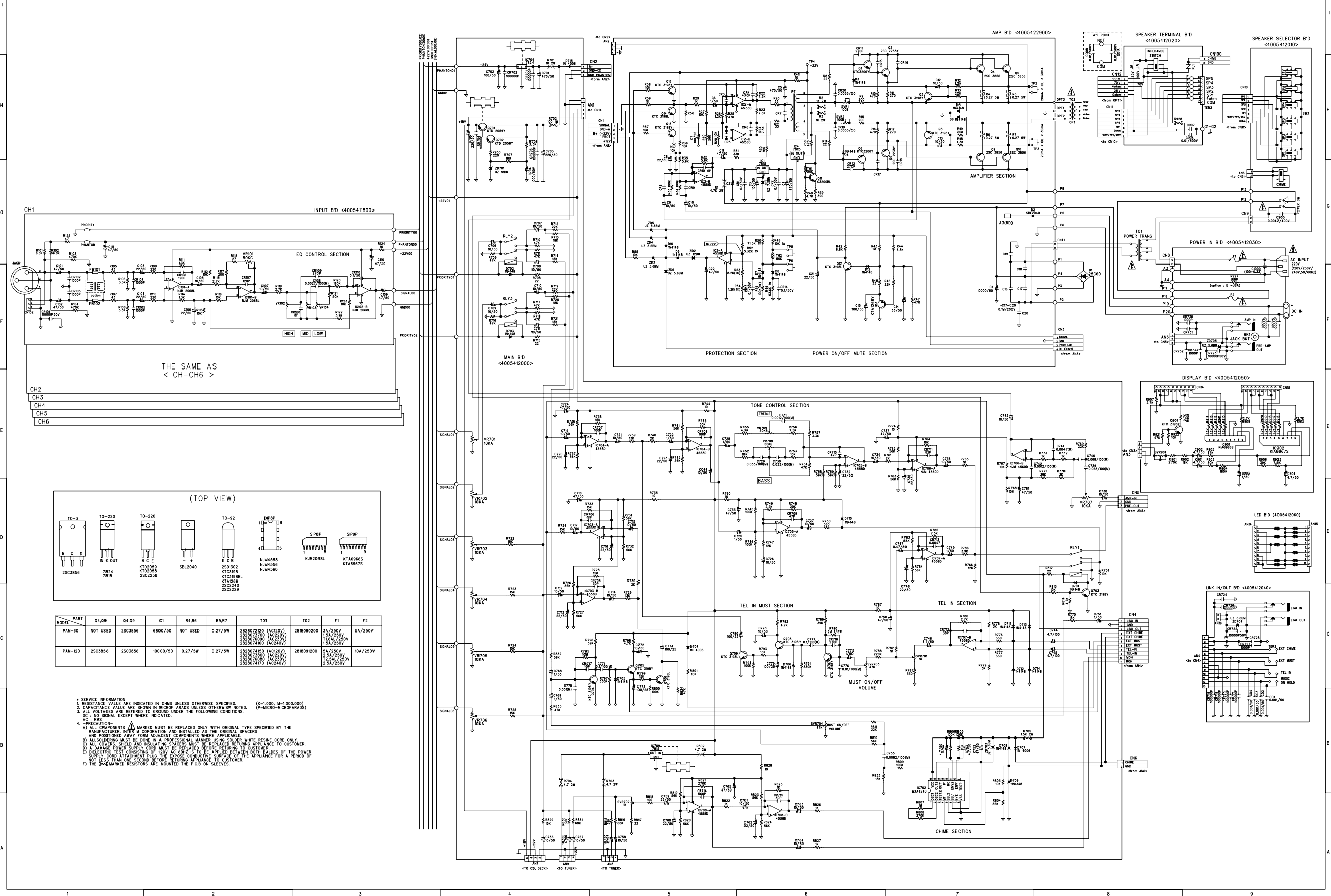
**AMPLIFIER**

**PAM-60/120**

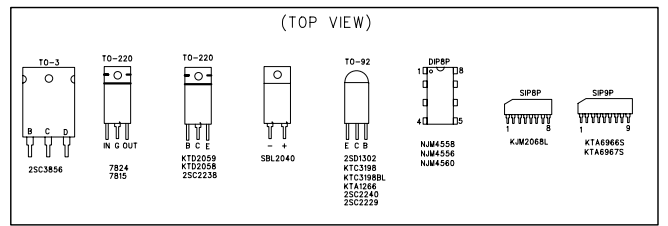
**interM**

COMPANY	INTER.M	APPLICANT	REVISED NUMBER AND DATE	DRAWN	CHECKED	APPROVED	NOTE
TYPE CODE			1. 14. 17.				
APPROVED DATE	03.12.17		2. 5. 8.				
			3. 6. 9.				

SIZE SHEET NO. A1 1/1  
 WIRING DIAGRAM  
 MODEL : PAM-60/120



THE SAME AS  
 < CH-CH6 >



PART MODEL	Q4,09	Q4,09	C1	R4,R6	R5,R7	T01	T02	F1	F2
PAM-60	NOT USED	25C3856	6800/50	NOT USED	0.27/5W	282807210 (AC220V) 282807370 (AC220V) 282807690 (AC220V) 282807480 (AC240V)	2818080200 3A/250V 1.5A/250V 1.5A/250V 1.5A/250V		5A/250V 10A/250V
PAM-120	25C3856	25C3856	10000/50	0.27/5W	0.27/5W	282807410 (AC220V) 282807380 (AC220V) 282807690 (AC220V) 282807410 (AC240V)	2818091200 5A/250V 1.5A/250V 1.5A/250V 1.5A/250V		10A/250V

- \* SERVICE INFORMATION
- 1. RESISTANCE VALUE ARE INDICATED IN OHMS UNLESS OTHERWISE SPECIFIED. (K=1000, M=1000000)
- 2. CAPACITANCE VALUE ARE SHOWN IN MICRO FARADS UNLESS OTHERWISE NOTED. (P=PICTO-MICROFARADS)
- 3. ALL VOLTAGES ARE REFERRED TO GROUND UNDER THE FOLLOWING CONDITIONS:  
 DC - NO SIGNAL EXCEPT WHERE INDICATED.
- 4. AC - RMS
- 5. PRECAUTIONS:
  - A) ALL COMPONENTS MARKED MUST BE REPLACED ONLY WITH ORIGINAL TYPE SPECIFIED BY THE MANUFACTURER. INTER M COOPERATION AND INSTALLED AS THE ORIGINAL SPACERS AND POSITIONED AREA LOW ADJUSTERS COMPONENTS WHERE APPLICABLE.
  - B) ALL SOLDERING MUST BE DONE IN A PROFESSIONAL MANNER USING SOLDER WHITE RESIN CORE ONLY.
  - C) ALL COUPLERS SHIELD AND INSULATING SPACERS MUST BE REPLACED RETURNING APPLIANCE TO CUSTOMER.
  - D) A DAMAGE POWER SUPPLY CORD MUST BE REPLACED BEFORE RETURNING TO CUSTOMER.
  - E) DIELECTRIC TEST CONSISTING OF 500V AC 60HZ IS TO BE APPLIED BETWEEN BOTH BALDES OF THE POWER SUPPLY CORD ATTACHMENT PLUS THE EXPOSED CONDUCTIVE SURFACE OF THE APPLIANCE FOR A PERIOD OF NOT LESS THAN ONE SECOND BEFORE RETURNING APPLIANCE TO CUSTOMER.
  - F) THE SHOWN MARKED RESISTORS ARE MOUNTED ON SLEEVES.

## ELECTRICAL PARTS LIST (PAM-60/120)

Ref No.	Part No.	Description	Value	Qty	Remark
<b>MAIN P.C. Board (4005412000)</b>					
IC709	2168640988 7505299340	IC 7815 SAMSUNG HEAT SINK EQ-131	7815 45MM	1	
IC701	2128610400 7505299340	IC 7824 COMMON HEAT SINK EQ-131	7824 45MM	1	
CN13	4428592520	WAFER BOX TPHB03-1419-20A	LW20P	1	
CN2	4428595004	LW5267/LWB0640/2.5MM-04P	MH5264	1	
AN7	4428595005	LW5267/LWB0640/2.5MM-05P	MH5264	1	
IC702	2128740208	IC BXA 4240	BXA4240	1	
CR713	3539472331-A	CAP CE X 4700PF 16V M AXIAL	0.0047	1	
CR701-704	3529104531-A	CAP CE F 100000PF 50V Z	100000P	4	
CR707-708	3509101231-A	CAP CE B 100PF 50V K AXIAL	100P	2	
CR717	3529100311-A	CAP CE SL 10PF 50V J AXIAL	10P	1	
CR716	3509271231-A	CAP CE B 270PF 50V K AXIAL	270P	1	
CR705-706 CR712 CR715	3529300311-A	CAP CE SL 30PF 50V J AXIAL	30P	4	
CR709-710	3529470311-A	CAP CE SL 47PF 50V J AXIAL	47P	2	
CR714	3509561231-A	CAP CE B 560PF 50V K AXIAL	560P	1	
CR711	3509820231-A	CAP CE B 82PF 50V K AXIAL	82P	1	
CN5	4428595003	LW5267/LWB0640/2.5MM-03P	5267-03A	1	
AN1	4355856210	CON ASSY 5P	CON5P	1	
AN8-9	4428598304	WAFER LW-0640-4P	WAF04P	2	
D704 D707 D715	2058100996	DIODE RECTIFIER LT1N4006(4007)	1N 4006	3	
D701-703 D705-706 D708-714	2058304100	DIODE IN4148M	1N4148	12	
C747	3409247871-T	CAP AF RSG 0.47UF 50V 5 P	0.47/50	1	
C722 C725 C728 C749 C751 C768-769 C775	3409210971-T	CAP AF RSG 1UF 50V 5 P	1/50	8	
C706-712 C714-715 C717 C719 C721 C726-727 C734 C736 C738 C743 C756-758 C761 C763-764 C766-767 C772 C778 CC44	3409210071-T	CAP AF RSG 10UF 50V 5 P	10/50	29	
C773-774 C779-780	3409210141-T	CAP AF RSG 100UF 25V 6 P	100/25	4	
C702	3409210171-T	CAP AF RSG 100UF 50V 8 P	100/50	1	
C704	3409210231		1000/50V	1	
C713 C716 C720 C723 C732 C735 C748 C760 C762	3409222071-T	CAP AF RSG 22UF 50V 5 P	22/50	9	
C703 C705	3409222171-T	CAP AF RSG 220UF 50V SG 10 P	220/50	2	
C759	3409233071-T	CAP AF RSG 33UF 50V 6 P	33/50	1	
C744-745	3409247991-T	CAP AF RSG 4.7UF 100V 5 P	4.7/100	2	
C746 C753-754	3409247971-T	CAP AF RSG 4.7UF 50V 5 P	4.7/50	3	
C718 C724 C733 C737 C750 C752 C765 C781	3409247071-T	CAP AF RSG 47UF 50V 6 P	47/50	8	
C701	3419547177	CAP E SD 470UF 50V (10P)	470/50	1	
C770	3609102120-T	CAP MA 0.001UF 100V	0.001(M)	1	
C731 C742	3609122120-T	CAP MA 0.0012UF 100V J	0.0012/100(M)	2	
C741	3609472120-T	CAP MA 0.0047UF 100V J	0.0047(M)	1	
C755	3609822120-T	CAP MA 0.0082UF 100V	0.0082/100(M)	1	
C776	3609103120-T	CAP MA 0.01UF 100V	0.01/100(M)	1	
C729-730	3609333120-T	CAP MA 0.033UF 100V J	0.033/100(M)	2	
C739-740	3609683120-T	CAP MA 0.068UF 100V J	0.068/100(M)	2	
C771 C777	3609104122-T	CAP MA 0.1UF 100V J SMALL	0.1/100(M)	2	
CN6	4428595002	LW5267/LWB0640/2.5MM-02P	CN/2P	1	
IC703-705 IC707-708	2118010590	IC NJM4558D JRC	4558D	5	
IC706	2118012032	IC NJM4560D JRC	NJM 4560D	1	
R705	3039152575-T	RES MO 1.5K 2W J RADIAL	1.5K 2W	1	
R818	3009101973	RES CF 100 1/5W J N	100	1	
R702	3039101472-T	RES MO 100 1W T	100 1W	1	
R745-746 R794 R800 R805-806 R809	3009104973	RES CF 100K 1/5W J N	100K	7	
R735 R744 R760 R774 R787 R828	3009100973	RES CF 10 1/5W J N	10	6	

R701	3039100575-T	RES MO 10 2W JR	10 2W	1	
R751-753 R767-768 R801 R803 R813	3009103973	RES CF 10K 1/5W J N	10K	8	
R795	3009106973	RES CF 10M 1/5W J N	10M	1	
R747 R766	3009123973	RES CF 12K 1/5W J N	12K	2	
R729 R739	3009133973	RES CF 13K 1/5W J N	13K	2	
R714 R721-725 R728 R733-734 R738 R793 R799 R829	3009153973	RES CF 15K 1/5W J N	15K	13	
R707	3009181973	RES CF 180 1/5W J N	180	1	
R713 R720 R764 R775 R833	3009183973	RES CF 18K 1/5W J N	18K	5	
R765 R772-773 R782 R924-926 R822 R825-827	3009102973	RES CF 1K 1/5W J N	1K	11	
R807	3009105973	RES CF 1M 1/5W J N	1M	1	
R749	3009222973	RES CF 2.2K 1/5W J N	2.2K	1	
R790	3009225973	RES CF 2.2M 1/5W J N	2.2M 1/5W	1	
R780	3009272973	RES CF 2.7K 1/5W J N	2.7K	1	
R748	3009203973	RES CF 20K 1/5W J N	20K	1	
R930	3009221973	RES CF 220 1/5W J N	220	1	
R788	3009224973	RES CF 220K 1/5W J N	220K	1	
R708 R715 R812	3009220973	RES CF 22 1/5W J N	22	3	
R712 R719 R769 R811	3009223973	RES CF 22K 1/5W J N	22K	4	
R808 R821	3009274973	RES CF 270K 1/5W J N	270K	2	
R730 R740 R761	3009202973	RES CF 2K 1/5W J N	2K	3	
R706 R757	3009332973	RES CF 3.3K 1/5W J N	3.3K	2	
R786	3009392973	RES CF 3.9K 1/5W J N	3.9K	1	
R743	3009303973	RES CF 30K 1/5W J N	30K	1	
R776-777 R781	3009331973	RES CF 330 1/5W J N	330	3	
R791 R797	3009334973	RES CF 330K 1/5W J N	330K	2	
R817	3009330973	RES CF 33 1/5W J N	33	1	
R771 R789 R796 R815 R830	3009393973	RES CF 39K 1/5W J N	39K	5	
R770 R778-779	3009302973	RES CF 3K 1/5W J N	3K	3	
R703-704 R802	3039479575-T	RES MO 4.7 2W J RADIAL	4.7 2W	3	
R755 R792 R798 R814	3009472973	RES CF 4.7K 1/5W J N	4.7K	4	
R709-711 R716-718 R754 R834-835	3009473973	RES CF 47K 1/5W J N	47K	9	
R750	3009561973	RES CF 560 1/5W J N	560	1	
R726-727 R731-732 R736-737 R741-742 R758-759 R762-763 R783-784 R804 R810 R819-820 R823-824 R832	3009563973	RES CF 56K 1/5W J N	56K	21	
R816 R831	3009683973	RES CF 68K 1/5W J N	68K	2	
R756 R785	3009752973	RES CF 7.5K 1/5W J N	7.5K	2	
RLY1-3	5528999700	RELAY 876AN2-2C-S 24VDC	RLY8P	3	
SVR703-704	3248347320-T	RH063MCS4R	47K	2	
SVR701-702	3248310220-T	RH063MC13R	1K	2	
Q706 Q709	2008606101-T	KTC3198L-BL-AT	KTC 3198L	2	
Q703-705 Q707-708	2008606104-T	TR NPN KTC3198-Y-AT TO-92	KTC 3198Y	5	
Q702	2028406113	KTD2058-Y-U	KTD 2058Y	1	
Q701	2028406114 7505299310	TR KTD2059-Y-U HEAT SINK(30MM) REG TR	KTD 2059Y	1	
VR701-707	3228074710	VR RK11K112010713A (ROG72)	10KA	7	
VR708-709	3238089910	VR RK11K116010753B (ROG63)	50KB	2	
CN4	4428598311	CONNECTOR WAFER LW-0640-11P	WAF11P	1	
ZD701	2058502180	DIODE ZENER UZ-188M(1N5248B)	UZ 188M	1	
ZD703	2058502056	DIODE ZENER UZ-5.6BM(1N5232B)	UZ 5.6BM	1	
G1 Q2(B,C,R )	4355829706	CON ASSY 1P (GND)	1P 1P	1	
( B,C )	4835002010	CAPACITOR TUBE	CAP-TUBE	1	

SPEAKER SEL. P.C. Board (4005412010)

C905	3549472407	CAP DE2E3KH472MA4B	0.0047/400V	1	
CN9	4428593603	LOCK WAFER 2 LW-1143-03P	CON2P	1	
AN6	4355857810	CON ASSY 2P	CON2P	1	
SW3	4628984010	SW PUSH JPJ061-306DT-01 JAEIL	SW/36P	1	
SW4	4628098520	SW PUSH SPUN19X1M031 (SUI52)	SPUN19X1M031	1	
SW1	4648098410	SW PS-5-W7AV	220V/110V	1	

P12-13	4465998210	TERMINAL(250)PCB TAB	TERMINAL	2	
CN10	4428596607	LOCK WAFER LW-1143-07P	WAF2P	1	

**SPEAKER TER. P. C. Board (4005412020)**

C907			NOT USED!	1	
C906 C908 C913	3509103450-T	CAP CE 0.01UF 500V Z	0.01/500V	3	
C906 C908-C913	3509103450-T	CAP CE 0.01UF 500V Z	0.01/500V	7	R
CN12	4428596605	LOCK WAFER LW-1143-05P	WAF-5P	1	
TER3	4465997606	SCREW TERMINAL 6P(D)	TERMINAL	1	
G1-G2	4355829706	CON ASSY 1P (GND)	CON1P	1	R
PL1	5410000300	SURGE PROTECTOR DSP-301N	DSP-301N	1	
J5-6	1508400501	JUMP WIRE(0.5/52M/M)	JUMP	2	
CN100	4428595002	LW5267/LWB0640/2.5MM-02P	CN/2P	1	
R928			NOT USED!	1	
SW2	4618006510	SW VOL SELE SDJL4SBKP011(SP087	VOL	1	
CN11	4428596607	LOCK WAFER LW-1143-07P	WAF2P	1	

**POWER IN P. C. Board (4005412030)**

CR731-732			NOT USED!	2	
C1000	3549333001	CAP ECQ-J0187W (0.033UF 250V)	(100+0.33)	1	
CR724-725	3529104531-A	CAP CE F 100000PF 50V Z	100000P	2	
CR723	3529103531-A	CAP CE F 10000PF 50V Z	10000P50V	1	
CR730 CR733	3539102231-A	CAP CE YP 1000PF 50V K AXIAL	1000P	2	R
A3 - A4	4355838503	GND TERMINAL GLY to CH GND	GND TER	2	
A4	4355838503	GND TERMINAL GLY to CH GND	GND TER	1	R
CN8	4428596604	LOCK WAFER LW-1143-04P	CN2P-1	1	
P20	4355833514	CON ASSY 1P (BLK)	CON1P	1	
P19	4355833618	CON ASSY 1P (RED)	CON1P	1	
AN5	4355855917	CON ASSY 3P	CON3P	1	
DC-IN	4438094610	DC TERMINAL 2P	DC IN	1	
F1-2	4458999210	FAU-0031.3577 SCHURTER PU-3210	FUSE	2	
(F1/F2 cap)	4458999310	FUSE CARRIER FEK-0031.1661 SUT	FUSE	2	
(F1/F2 cap)	4458999410	FUSE CARRIER FEU0031.1663 SUT	FUSE	2	R ,C
AC-IN	4448599010	AC INLET (B'D IN TYPE)	AC INPUT	1	
BK1	6505959710	JACK B. K. T	JACK BKT	1	
JACK1-2	4438097310	JACK PHONE 4P	JACK	2	
R927	3009225973	RES CF 2.2M 1/5W J N	2.2M 1/5W JUMP	1	E
R927(E )	3069225370	RES 2.2M 1/2W J N	2.2M 1/2W	1	
P17-18	4465998210	TERMINAL(250)PCB TAB	TERMINAL	2	
ZD705	2058502056	DIODE ZENER UZ-5.6BM(1N5232B)	UZ 5.6BM	1	

**LINK IN/OUT P. C. Board (4005412040)**

CR728-729			NOT USED!	2	
CO1-4	3509102530-T	CAP CE B 0.001UF 50V J	0.001/50	4	
CR718-721	3529104531-A	CAP CE F 100000PF 50V Z	100000P	4	
CR722	3529103531-A	CAP CE F 10000PF 50V Z	10000P50V	1	
CR726-727	3539102231-A	CAP CE YP 1000PF 50V K AXIAL	1000P	2	R
AN4	4355855816	CON ASSY 13P	CON13P	1	
AN4(E ) AN3( )	4355830303	CON GND TERMINAL 1P Y/G	GND 1P(E )	1	
AN16	4355958211	CON ASSY 2P 130MM CA-6210	CON2P	1	
BK2	6505959710	JACK B. K. T	JACK BKT	1	
JACK3-4	4438097310	JACK PHONE 4P	AM-8003	2	
TER2	4465997604	SCREW TERMINAL 4P(D)	TER4P	1	
ZD704	2058502056	DIODE ZENER UZ-5.6BM(1N5232B)	UZ 5.6BM	1	

**DISPLAY P. C. Board (4005412050)**

CN14-15	4428594010	WAFER 5532-10A J.MOLEX	ASSY 10P	2	
AN3	4355855319	CON ASSY 4P	CON4P	1	
C903	3409210971-T	CAP AF RSG 1UF 50V 5 P	1/50	1	
C901-902 C904	3409247971-T	CAP AF RSG 4.7UF 50V 5 P	4.7/50	3	
IC902	2118040105	KIA6967S	KIA6967S	1	
IC901	2118030405	KIA6966S	KIA6966S	1	
R910-914 R916-920	3009122973	RES CF 1.2K 1/5W J N	1.2K	10	
R922	3009103973	RES CF 10K 1/5W J N	10K	1	
R904	3009184973	RES CF 180K 1/5W J N	180K	1	
R902	3009183973	RES CF 18K 1/5W J N	18K	1	
R907-909 R915	3009272973	RES CF 2.7K 1/5W J N	2.7K	4	
R901	3009274973	RES CF 270K 1/5W J N	270K	1	
R903	3009303973	RES CF 30K 1/5W J N	30K	1	
R906	3009393973	RES CF 39K 1/5W J N	39K	1	

R905 R921	3009473973	RES CF 47K 1/5W J N	47K	2	
R923	3009752973	RES CF 7.5K 1/5W J N	7.5K	1	
Q901	2008606104-T	TR NPN KTC3198-Y-AT TO-92	KTC 3198Y	1	
SVR901			NOT USED!	1	

LED P.C. Board (4005412060)

AN14-15	4428593910	WAFER 5533-10APB J.MOLEX	CON10P	2	
LED3-11	2300032105	LED LTL-1CHG-021A LITEON	SLR34MG	9	
LED1-2 LED12	2300030105	LED LTL-1CHE-021A LITEON	SLR34VC	3	

AMP P.C. Board (4005411900)

IC1 IC4	2168640988	IC 7815 SAMSUNG	7815	2	
C19 CR15-18			NOT USED!	5	
CR19-20	3509332530-T	CAP CE B 0.0033UF 50V K	0.0033/50	2	
CR1-2 CR13-14	3539104531-A	CAP CE Y 10000PF 50V Z AXIAL	0.1/50V	4	
CR11-12	3509271130-T	CAP CE SL 270PF 50V J	270P	2	
CR4	3509471130-T	CAP CE SL 470PF 50V J	470P	1	
CR10	3509509030-T	CAP CE SL 5PF 50V J	5P	1	
IPT	2808098300	TRANSFORMER INPUT (PA-9324)	COIL(6P)	1	
P1 P3	4355833403	CON ASSY 1P (YEL)	CON(1P)	2	
P2	4355833503	CON ASSY 1P (BLK)	CON1P	1	
CN1	4428598305	CONNECTOR WAFER LW-0640-5P	CON-5P	1	
AN2	4355886605	CON ASSY 4P	CON-3P	1	
P4	4355833603	CON ASSY 1P (RED)	CON(1P)	1	
A3(RD)	4355855407	CON ASSY 1P	CON1P	1	
SVR1-2	3248310120-T	RH063MC12R	100B	2	
D3-10 D12	2058304100	DIODE IN4148M	1N4148	9	
D2	2058300998	DIODE SCHOTTKY SBL2040/SR2040	SBL2040	1	
C2			NOT USED!	1	
C6	3409210971-T	CAP AF RSG 1UF 50V 5 P	1/50	1	
C9-10 C12-13	3409210071-T	CAP AF RSG 10UF 50V 5 P	10/50	4	
C7	3409210141-T	CAP AF RSG 100UF 25V 6 P	100/25	1	
C3 C15	3409210171-T	CAP AF RSG 100UF 50V 8 P	100/50	2	
C1(PAM-60 )	3419568224	CAP AF HS 6800UF 50V 30 P LUG	6800/50		
C1(PAM-120 )	3419510378	CAP AF HS 10000UF 50V 30 P LUG	10000/50	1	
C8 C21	3409222071-T	CAP AF RSG 22UF 50V 5 P	22/50	2	
C14	3409233071-T	CAP AF RSG 33UF 50V 6 P	33/50	1	
C11 C22	3409247071-T	CAP AF RSG 47UF 50V 6 P	47/50	2	
C4-5	3408247171	CAP RSA 470UF 50V SNAP 13 P	470/50	2	
IC2	2118010932	IC NJM 4556AD	4556D	1	
IC3	2118010590	IC NJM4558D JRC	4558D	1	
C16-18 C20	3609104140-T	CAP MA 0.1UF 200V J	0.1/200(M)	4	
CR3 CR5-9			NOT USED!	6	
CNT1	4678699420	CNT PLUG 2P	PLUG-2P	1	
R56			NOT USED!	1	
R5 R7(PAM-60 )				2	
R4-7(PAM-120 )	3059278783	RES CE 0.27 5W J T	0.27 5W	4	
R54	3003120953	RES CF 1.2K 1/5W FN	1.2K(1%)	1	
R26	3009122973	RES CF 1.2K 1/5W J N	1.2K	1	
R12 R18	3009132973	RES CF 1.3K 1/5W J N	1.3K	2	
R51	3001100953	RES CF 100K 1/5W F N	100K(1%)	1	
R33-34	3009104973	RES CF 100K 1/5W J N	100K	2	
R41	3009100973	RES CF 10 1/5W J N	10	1	
R48	3002100953	RES CF 10K 1/5W F N	10K 1%	1	
R27-28 R36-37 R55 R57-58	3009103973	RES CF 10K 1/5W J N	10K	7	
R29 R59	3009102973	RES CF 1K 1/5W J N	1K	2	
R2-3	3039102572-F	RES MO 1K 2W J N	1K 2W	2	
R43	3009105973	RES CF 1M 1/5W J N	1M	1	
R9 R15	3009201973	RES CF 200 1/5W	200	2	
R13 R19	3009203973	RES CF 20K 1/5W J N	20K	2	
R8 R14	3009220973	RES CF 22 1/5W J N	22	2	
R46	3009223973	RES CF 22K 1/5W J N	22K	1	
R11 R17	3009271973	RES CF 270 1/5W J N	270	2	
R52	3003332953	RES CF 3.32K 1/5W F N	3.32K 1%	1	
R31	3009331973	RES CF 330 1/5W J N	330	1	
R20-21 R45	3009330973	RES CF 33 1/5W J N	33	3	
R39	3009391973	RES CF 390 1/5W J N	390	1	
R40	3009472973	RES CF 4.7K 1/5W J N	4.7K	1	
R1	3039472572-F	RES MO 4.7K 2W J N	4.7K 2W	1	
R10 R16 R38 R47	3009471973	RES CF 470 1/5W J N	470	4	

R25	3009473973	RES CF 47K 1/5W J N	47K	1	
R32 R35	3009562973	RES CF 5.6K 1/5W J N	5.6K	2	
R49	3002536953	RES CF 53.6K 1/5W F N	53.6K 1%	1	
R60	3009561973	RES CF 560 1/5W J N	560	1	
R42 R44	3009682973	RES CF 6.8K 1/5W J N	6.8K	2	
R22-24	3009752973	RES CF 7.5K 1/5W J N	7.5K	3	
R50	3002715953	RES CF 71.5K 1/5W FN	71.5K 1%	1	
R53	3003820953	RES CF 8.2K 1/5W FN	8.2K(1%)	1	
R30	3009911973	RES CF 910 1/5W J N	910	1	
OPT1/2/3	4355855509	CON ASSY 4P	SW-6P	1	
P5-8	4465998210	TERMINAL(250)PCB TAB	TER	4	
TH1-2	4428595002	LW5267/LWB0640/2.5MM-02P	50K	2	
Q2 Q7	2028407118	KTC2238A-Y-U	2SC 2238Y	2	
Q5 Q10(PAM-60 ) Q4-5 Q9-10(PAM-120 )	2028427998	TR 2SC 3856 W/ACC	2SC 3856	2 4	
Q11	2008606108-T	KTC3200-BL-AT	KTC3200BL	1	
Q12 Q14	2008606999-T	KTC3198-BL-AT	KTC 3198BL	2	
Q3 Q8 Q15-16	2008606104-T	TR NPN KTC3198-Y-AT TO-92	KTC 3198Y	4	
Q1 Q6	2008606107-T	KTC3206-Y-AT	KTC3206Y	2	
Q13	2008606105-T	TR NPN KTA1266-Y-AT TO-92	KTA1266Y	1	
CN3	4428598304	WAFER LW-0640-4P	WAF-4P	1	
ZD2	2058502120	DIODE ZENER UZ-12BM(1N5242B)	UZ 12BM	1	
ZD3-6	2058502056	DIODE ZENER UZ-5.6BM(1N5232B)	UZ 5.6BM	4	
ZD1	2058501076	DIODE ZENER UZ-7.5B(1N5236B)	UZ 7.5BM	1	
GND	4235007210	GND TERMINAL (POWER BD)	GND TER	1	
A1 A2 A3 A4	4355855407	CON ASSY 1P	1P 1P	2	
OPT1-3	4355855509	CON ASSY 4P	4P	1	
PAM-60/120	7502093410	HEAT SINK		1	

INPUT P.C. Board (4005411800)

CR110	3509101231-A	CAP CE B 100PF 50V K AXIAL	100/50	1	
CR101	3529103531-A	CAP CE F 10000PF 50V Z	10000P50V	1	
CR102-105	3539102231-A	CAP CE YP 1000PF 50V K AXIAL	1000P	4	
CR106-107	3509121231-A	CAP CE B 120PF 50V K AXIAL	120P	2	
CR109	3509271231-A	CAP CE B 270PF 50V K AXIAL	270P	1	
CR108	3529050311-A	CAP CE SL 5P 50V C AXIAL	5P	1	
C105 C107	3409210071-T	CAP AF RSG 10UF 50V 5 P	10/50	2	
C103-104 C106	3409222071-T	CAP AF RSG 22UF 50V 5 P	22/50	3	
C101-102 C109-111	3409247071-T	CAP AF RSG 47UF 50V 6 P	47/50	5	
FB101-102	2648609900	FERITE BEAD H5B	FER	2	
JACK1	4438193710	XLR JACK(F) 3P(E303A0070N)	JACK3P	1	
C108	3609272120-T	CAP MA 0.0027UF 100V J	0.0027/100(M)	1	
CN101	4428592820	WAFER BOX 20P TPHAB03-1419-20A	20P	6	
CN102	4428595003	LW5267/LWB0640/2.5MM-03P	MH5264	1	
IC101	2168220989	IC NJM 2068L JRC	NJM 2068L	1	
IC102	2168220989	IC NJM 2068L JRC	NJM 2068L	1	
BK101	6505946710	PCB BKT PAC-60/120	PCB BKT	1	
SW102	4628992410	SW PUSH SPUN19X1M011 (SUA29)	SW2P	1	
R111 R114	3009132973	RES CF 1.3K 1/5W J N	1.3K	2	
R124	3009100973	RES CF 10 1/5W J N	10	1	
R112-113 R116 R123	3009103973	RES CF 10K 1/5W J N	10K	4	
R121	3009154973	RES CF 150K 1/5W J N	150K	1	
R120	3009184973	RES CF 180K 1/5W J N	180K	1	
R115 R119	3009272973	RES CF 2.7K 1/5W J N	2.7K	2	
R117	3009201973	RES CF 200 1/5W	200	1	
R109-110	3009221973	RES CF 220 1/5W J N	220	2	
R118	3009270973	RES CF 27 1/5W J N	27	1	
R106 R108	3009332973	RES CF 3.3K 1/5W J N	3.3K	2	
R122	3009392973	RES CF 3.9K 1/5W J N	3.9K	1	
R105 R107	3009430973	RES CF 43 1/5W J N	43	2	
R103-104	3009474973	RES CF 470K 1/5W J N	470K	2	
R125	3009470973	RES CF 47 1/5W J N	47	1	
R101-102	3009682973	RES CF 6.8K 1/5W J N	6.8K	2	
VR101	3228074810	VR RK09K1110201 53C (ROG67)	50KC	1	
VR102-104			NOT USED!	3	

ASSY

OPT	2818089800 2818089600	TRANS OUTPUT(PAM-120) DOM,D,E TRANS OUTPUT PAM-120 (230V)	C ,R	1 2	
PT	2828073800 2828074150	TRANSFORMER POWER PAC-120 TRANS POWER (120V) PAM-120	E	1 1	

	2828074170	POWER TRANS (240V) PAC-120	D	1	
	2828076080	POWER TRANS PAC-120 230V	C ,R	2	
PT(for PAM-60)	2828073700	TRANSFORMER POWER PAC-60		1	
	2828074140	TRANS POWER (120V) PAM-60	E	1	
AC CORD	4308997310	AC CORD DOME 3-CORES		1	
	4308999410	AC CORD V+VII6A-250VHOVV-F3G	R	1	
	4308999310	AC CORD UL 3 (INLET)	E	1	
	4308998000	AC CORD POWER FOR SAA	D	1	
	4308996710	AC CORD (WITHOUT PLUG)	C	1	
AC CORD(for PAM-60)	4308997310	AC CORD DOME 3-CORES		1	
	4308999310	AC CORD UL 3 (INLET)	E	1	
FUSE	5508222830	FUSE NB 31.8MM 2.5A/250V KS		1	
	5508223333	FUSE NB 31.8MM 5A/250V U/C	E	1	
	5508222833	FUSE NB 31.8MM 2.5A/250V U/C	D	1	
	5508213839	FUSE#234F 20MM 10A/250V UCKJ	C ,R	2	
	5508223830	FUSE NB 31.8MM 10A/250V KS		1	
	5508223831	FUSE NB 31.8MM 10A/250V UL	D ,E	2	
	5508412839	FUSE#218T 20MM 2.5A/250V UCSKJ	C ,R	2	
FUSE(for PAM-60)	5508222530	FUSE NB 31.8MM 1.5A/250V KS		1	
	5508222933	FUSE NB 31.8MM 3A/250V U/C	E	1	
	5508223330	FUSE NB 31.8MM 5A/250V KS		1	
	5508223333	FUSE NB 31.8MM 5A/250V U/C	E	1	