

SERVICE

MANUAL

TUNER

PAM-T

interM

ELECTRICAL PARTS LIST (PAM-TUNER)

Ref No.	Part No.	Description	Value	Qty
TUNER B'D				
A/PACK	3928009980	AM TUNER(FAM1-210V)	AM TUNER PACK	1
C419	3509102530-T	CAP CE B 0.001UF 50V J	0.001/50	1
C421 C423	3509103530-T	CAP CE F 0.01UF 50V Z	0.01/50	2
C401 C403 C405 C417-418 C428	3509223530-T	CAP CE F 0.022UF 50V Z	0.022/50	6
C400 C402	3509473530-T	CAP CE F 0.047UF 50V Z	0.047/50	2
C411	3509104530-T	CAP CE F 0.1UF 50V Z	0.1/50	1
C425	3529100110-T	CAP CE RH 10PF 50V D	10P	1
C409 C424	3529330210-T	CAP CE CH 33PF 50V J	33P	2
CF400-401	3908011001	FILTER SK107M3-AO-20 TOKO	10.7M	2
L3	2648399930	COIL PEAKING 0.33UH(PA-600RB)	0.33	1
L	2648699980	COIL CHOCK COMMON MODE PA-608R	CHOCK	1
CON401-402	4428598304	WAFER LW-0640-4P	LW-0640-4P	2
CON403	4428598303	CONNECTOR WAFER LW-0640-3P	LW-0640-3P	1
CON400	4428598305	CONNECTOR WAFER LW-0640-5P	LW-0640-5P	1
CON404	4355898203	CON ASS'Y 26P	ASS'Y 26P	1
D401-405 D407-409 D411 D413-425	2058304100	DIODE IN4148M	1N4148	22
C414	3419510401	CAP AF 0.1UF 5.5V(EECF5R5U104)	0.1/5.5	1
C420	3409222871-T	CAP AF RSG 0.22UF 50V 5 P	0.22/50	1
C413	3409247871-T	CAP AF RSG 0.47UF 50V 5 P	0.47/50	1
C404 C406 C416 C430	3409210971-T	CAP AF RSG 1UF 50V 5 P	1/50	4
C410	3409247971-T	CAP AF RSG 4.7UF 50V 5 P	4.7/50	1
C407 C412 C422 C426	3409247071-T	CAP AF RSG 47UF 50V 6 P	47/50	4
C408	3639274111-T	CAP ECO-V 1H274JL2 0.27UF 50V	0.27/50	1
F/E	3928009990	TUNER PACK (AM)	TUNER PACK(AM)	1
Q411	2018211100-T	FET N-CH 2SK 168D SANKYOELE	2SK 168D	1
L4	2628099940	COIL FM DET	FM DET	1
IC400	2138013995	IC UPD1719G-014 12	D1719G-014	1
IC401	2168417994	IC LA 1145(FM IF) SANYO	LA1195/1145(FM-IF)	1
C429	3609682120-T	CAP MA 0.0068UF 100V J	0.0068/100(M)	1
C431	3609223120-T	CAP MA 0.022UF 100V J	0.022/100(M)	1
C427	3609333120-T	CAP MA 0.033UF 100V J	0.033/100(M)	1
C415	3609473120-T	CAP MA 0.047UF 100V	0.047/100(M)	1
R451	3009152973	RES CF 1.5K 1/5W J N	1.5K	1
R404 R446 R459	3009101973	RES CF 100 1/5W J N	100	3
R421	3039101572-F	RES MO 100 2W J N	100 2W	1
R402 R440 R443	3009104973	RES CF 100K 1/5W J N	100K	3
R426	3009100973	RES CF 10 1/5W J N	10	1
R410 R415 R417 R419-420 R428-429 R436-437 R441 R450 R452 R454-455	3009103973	RES CF 10K 1/5W J N	10K	14
R412	3009123973	RES CF 12K 1/5W J N	12K	1
R448	3009151973	RES CF 150 1/5W J N	150	1
R424	3009154973	RES CF 150K 1/5W J N	150K	1
R425	3009153973	RES CF 15K 1/5W J N	15K	1
R413	3009183973	RES CF 18K 1/5W J N	18K	1
R438 R447 R449 R464	3009102973	RES CF 1K 1/5W J N	1K	4
R423 R431 R458	3009222973	RES CF 2.2K 1/5W J N	2.2K	3
R435	3009272973	RES CF 2.7K 1/5W J N	2.7K	1
R403	3009271973	RES CF 270 1/5W J N	270	1

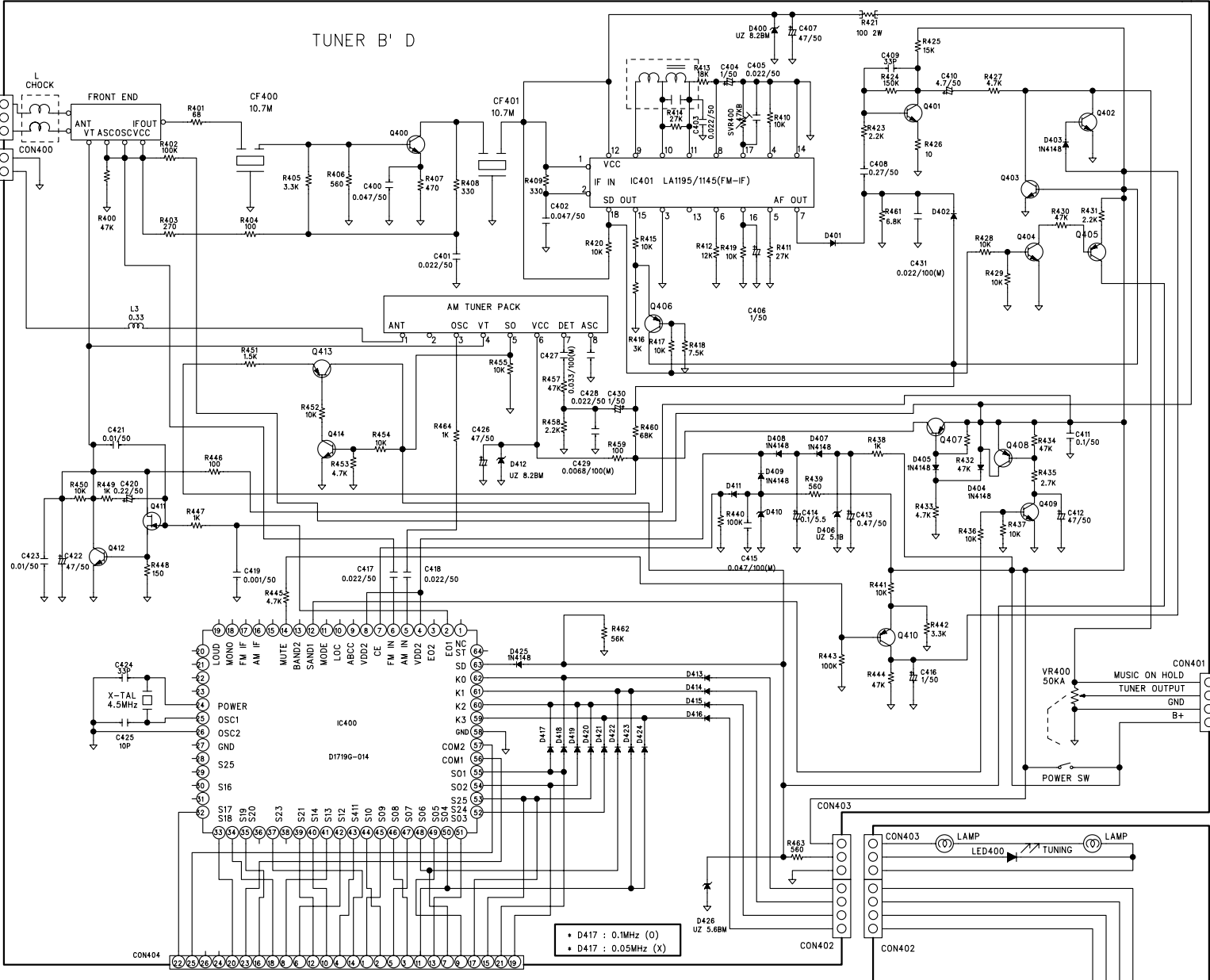
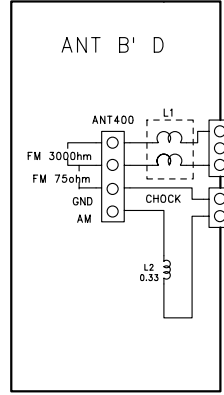
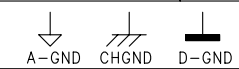
R411 R414	3009273973	RES CF 27K 1/5W J N	27K	2
R405 R442	3009332973	RES CF 3.3K 1/5W J N	3.3K	2
R408-409	3009331973	RES CF 330 1/5W J N	330	2
R416	3009302973	RES CF 3K 1/5W J N	3K	1
R427 R433 R445 R453	3009472973	RES CF 4.7K 1/5W J N	4.7K	4
R407	3009471973	RES CF 470 1/5W J N	470	1
R400 R430 R432 R434 R444 R457	3009473973	RES CF 47K 1/5W J N	47K	6
R406 R439 R463	3009561973	RES CF 560 1/5W J N	560	3
R462	3009563973	RES CF 56K 1/5W J N	56K	1
R461	3009682973	RES CF 6.8K 1/5W J N	6.8K	1
R401	3009680973	RES CF 68 1/5W J N	68	1
R460	3009683973	RES CF 68K 1/5W J N	68K	1
R418	3009752973	RES CF 7.5K 1/5W J N	7.5K	1
SVR400	3248347320	RES RH0615C100473	47KB	1
S1	4628034910	POWER SWITCH PS3 22SP W4CW	POWER SW	1
Q402-403	2008606998-T	KTD1302-AT	KTD1302-AT	2
Q412	2008606108-T	KTC3200-BL-AT	KTC3200BL	1
Q400	2008406103-T	KTC3194-Y-AT	KTC 3194Y	1
Q401	2008606101-T	KTC3198L-BL-AT	KTC 3198L	1
Q404 Q409 Q414	2008606104-T	TR NPN KTC3198-Y-AT TO-92	KTC 3198Y	3
Q405-408 Q410 Q413	2008606105-T	TR NPN KTA1266-Y-AT TO-92	KTA1266Y	6
VR400	3228081910	VR 50KA (RMG57)	50KA	1
X-TAL	3908101050	CRYSTAL 4.5000MHZ 49/U 20PF	4.5MHz	1
D406	2058500051	DIODE ZENER UZ-5.1B(1N5231B)	UZ 5.1B	1
D410 D426	2058502056	DIODE ZENER UZ-5.6BM(1N5232B)	UZ 5.6BM	2
D400 D412	2058502082	DIODE ZENER UZ-8.2BM(1N5237B)	UZ 8.2BM	2

LCD B'D

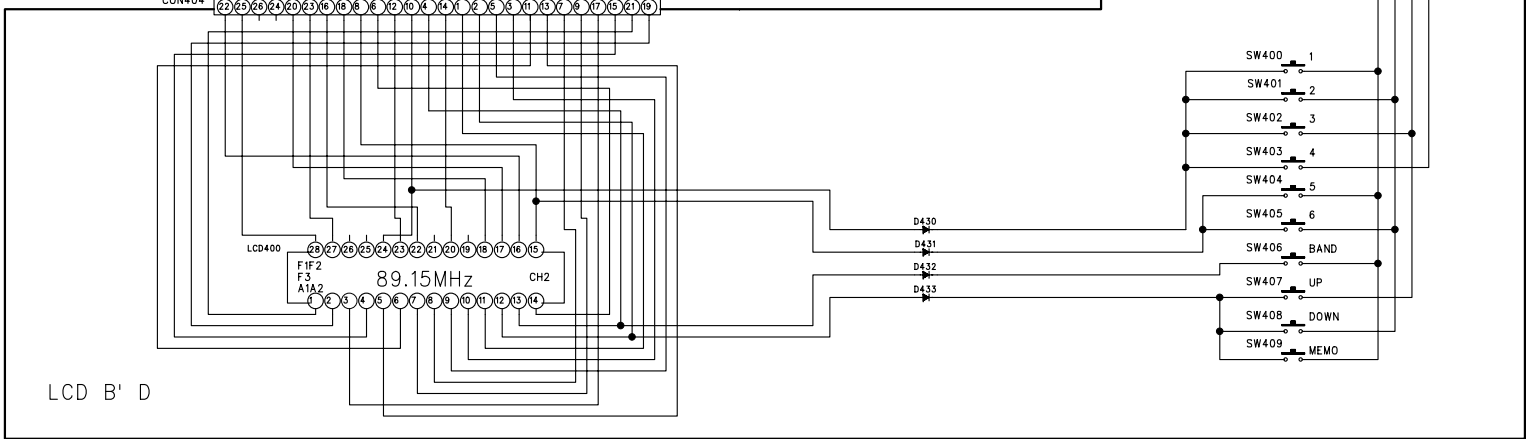
CON402	4428598304	WAFER LW-0640-4P	LW-0640-4P	1
CON403	4428598303	CONNECTOR WAFER LW-0640-3P	LW-0640-3P	1
CON404	4355898203	CON ASS'Y 26P	ASS'Y 26P	1
D430-433	2058304100	DIODE IN4148M	1N4148	4
LCD400	2338170397	LCD SLC-5056RS-1/C3	LCD SLC-5056RS	1
CON7-8	2528000900	LAMP 14V40MA PI-TYPE PA-1000AR	14V 40mA	2
LED400	2308237222-T	SLR 34VC 25	SLR 34VC 70F-124	1
SW400-409	4628994320	SW THCT THVV502GAA	THVV502GAA	10

ANT B'D

L2	2648399930	COIL PEAKING 0.33UH(PA-600RB)	0.33	1
L1	2648699980	COIL CHOCK COMMON MODE PA-608R	CHOCK	1
CON405	4428598305	CONNECTOR WAFER LW-0640-5P	LW-0640-5P	1
ANT400	2608299880	ANT AM LOOP (POP-30/60/120)	AM	1



NOTE : - IC -
 UPD 1719G-014 : IC400
 LA - 1145 : IC401
 - TR -
 2SC3196 : Q404, 414, 409
 2SA1266 : A405-408, 410, 413
 2SD1302 : Q402, 403
 2SK168D : Q411
 2SC3198BL : Q401
 2SC3200BL : Q412
 2SC3194 : Q400
 - DIODE -
 IN4148 : D401-405, 407-409, 411, 413-425, 430-433
 UZ5.6BM : D410, 425
 UZ8.2BM : D400, 412
 UZ5.1BM : D406



- SERVICE INFORMATION**
- RESISTANCE VALUES ARE INDICATED IN OHMS UNLESS OTHERWISE SPECIFIED.
(K = 1,000, M = 1,000,000)
 - CAPACITANCE VALUES ARE SHOWN IN MICROFARADS UNLESS OTHERWISE NOTED.
(P = MICRO - MICROFARADS)
 - ALL VOLTAGES ARE REFERRED TO GROUND UNDER THE FOLLOWING CONDITIONS.
DC : NO SIGNAL EXCEPT WHERE INDICATED.
AC : R M S
 - PRECAUTION -
 A) ALL COMPONENTS MARKED MUST BE REPLACED ONLY WITH ORIGINAL TYPE SPECIFIED BY MANUFACTURER, INKEL P.A CORPORATION AND INSTALLED AS THE ORIGINAL SPACERS AND POSITIONED AWAY FROM ADJACENT COMPONENTS WHERE APPLICABLE.
 B) ALL SOLDERING MUST BE DONE IN A PROFESSIONAL MANNER USING SOLDER WHITE RESINE CORE ONLY.
 C) ALL COVERS, SHIELD AND INSULATING SPACERS MUST BE REPLACED BEFORE RETURNING APPLIANCE TO CUSTOMER.
 D) A DAMAGE POWER SUPPLY CORD MUST BE REPLACED BEFORE RETURNING TO CUSTOMER.
 E) DIELECTRIC TEST CONSISTING OF 120V AC 50Hz IS TO BE APPLIED BETWEEN CONDUCTIVE SURFACE OF THE APPLIANCE FOR A PERIOD OF NOT LESS THAN ONE SECOND BEFORE RETURNING APPLIANCE TO CUSTOMER.
 F) THE MARKED RESISTORS ARE MOUNTED THE P.C.B ON SLEEVES.