

SERVICE

MANUAL

P A R A M E T R I C

EQUALIZER

PEQ-9115

interM

ELECTRICAL PARTS LIST

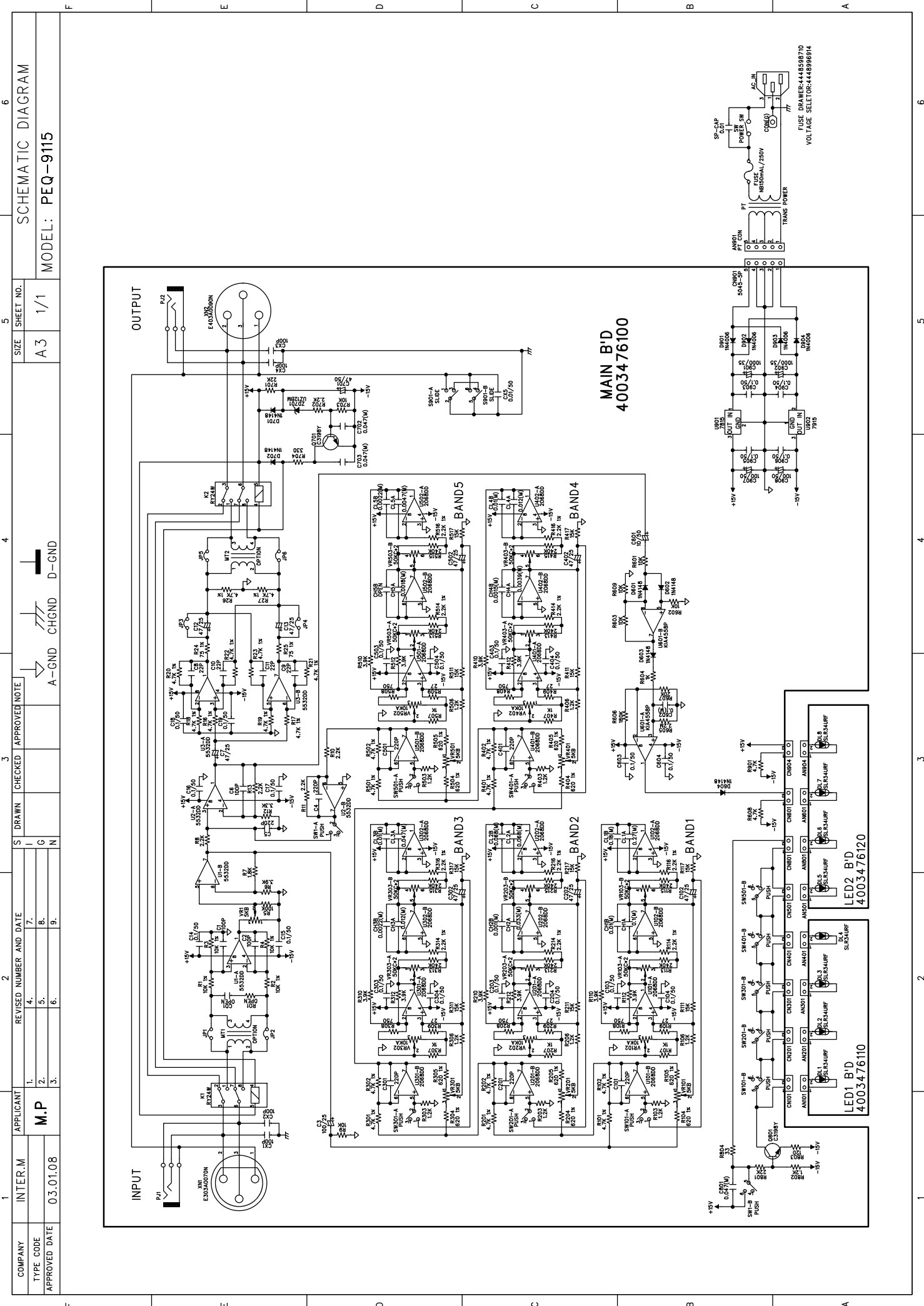
REF-DES	ITEM NO	DESCRIPTION	VALUE
MAIN B'D (4003476100)			
C1-2 C6 CX1-4	3509101130-T	CAP CE SL 100PF 50V J	100P
C3	3409210141-T	CAP AF RSG 100UF 25V 6 P	100/25
C4-5 C101 C201 C301 C401 C501	3509221130-T	CAP CE SL 220PF 50V J	220P
C7 C12-13 C102 C202 C302 C402 C502	3409247041-T	CAP AF RSG 47UF 25V 5 P	47/25
C14-19 C103-104 C203-204 C303-304 C403-404 C503-504 C603-604 C903-906	3509104530-T	CAP CE F 0.1UF 50V Z	0.1/50
C8-11	3509220130-T	CAP CE SL 22PF 50V J	22P
C601	3409210059-T	CAP RG 10UF 50V 105C	10/50
C602 CH1A	3609104120-T	CAP MA 0.1UF 100V J	0.1(M)
C701	3409247071-T	CAP AF RSG 47UF 50V 6 P	47/50
C702-703 C801 CL3A	3609473120-T	CAP MA 0.047UF 100V	0.047(M)
C901-902	3408210261	CAP RSG 1000UF 35V SNAP 16 P	1000/35
C907-908	3409210171-T	CAP AF RSG 100UF 50V 8 P	100/50
CH1B CL3B CL4B	3609103120-T	CAP MA 0.01UF 100V	0.01(M)
CH2A	3609333120-T	CAP MA 0.033UF 100V J	0.033(M)
CH2B	3609102120-T	CAP MA 0.001UF 100V	0.001(M)
CH3A CL4A	3609123120-T	CAP MA 0.012UF 100V J	0.012(M)
CH3B CL5B	3609222120-T	CAP MA 0.0022UF 100V J	0.0022(M)
CH4A	3609392120-T	CAP MA 0.0039UF 100V J	0.0039(M)
CH4B	3609152120-T	CAP MA 0.0015UF 100V J	0.0015(M)
CH5A	3609182120-T	CAP MA 0.0018UF 100V J	0.0018(M)

CL1A	3609274120-T	CAP MA 0.27UF 100V J	0.27(M)
CL1B	3609184120-T	CAP MA 0.18UF 100V J	0.18(M)
CL2A CL2B	3609683120-T	CAP MA 0.068UF 100V J	0.068(M)
CL5A	3609472120-T	CAP MA 0.0047UF 100V J	0.0047(M)
CX5	3509103530-T	CAP CE F 0.01UF 50V Z	0.01/50
CN101 CN201 CN301 CN401 CN501 CN601 CN801 CN904	4428522102	CON WAF 2P 2.5 5045-02A MOLEX	5045-2P
CN901	4428522105	WAFER 5045-05A(MOLEX)	5045-5P
D901-904	2058100996	DIODE RECTIFIER LT1N4006(4007)	1N4006
D601-604	2058304100	DIODE IN4148M	1N4148
D701-702			
ZD701	2058502120	DIODE ZENER UZ-12BM(1N5242B)	UZ12BM
JP1-2 JP5-6	1508400501	JUMP WIRE(0.5/52M/M)	JUMPER
K1-2	5528999700	RELAY 876AN2-2C-S 24VDC	RY24W
PJ1-2	4438097310	JACK PHONE 4P	PHONE JACK
Q701 Q801	2008606104-T	KTC3198-Y-AT	C3198Y
R1-4	3002100953	RES CF 10K 1/5W F N	10K 1%
R5	3009104973	RES CF 100K 1/5W J N	100K
R6 R110 R112 R210 R212 R310 R312 R410 R412 R510 R512	3009392973	RES CF 3.9K 1/5W J N	3.9K
R7	3009182973	RES CF 1.8K 1/5W J N	1.8K
R8 R10-11 R13 R702	3009222973		2.2K
R9 R601-603 R609 R703	3009103973	RES CF 10K 1/5W J N	10K
R12	3009332973	RES CF 3.3K 1/5W J N	3.3K
R16-23 R26-27 R101-102 R201-202 R301-302 R401-402 R501-502	3003470953	RES CF 4.7K 1/5W F N	4.7K 1%

R24-25	3005750953	RES CF 75 1/5W F N	75 1%
R103 R106 R203 R206 R303 R306 R403 R406 R503 R506 R802	3009122973	RES CF 1.2K 1/5W J N	1.2K
R104-105 R204-205 R304-305 R404-405 R504-505	3004620953	RES CF 620 1/5W F N	620 1%
R107 R207 R307 R407 R507 R604	3009102973	RES CF 1K 1/5W J N	1K
R108 R208 R308 R408 R508	3009751973	RES CF 750 1/5W	750
R109 R209 R309 R409 R509	3009270973	RES CF 27 1/5W J N	27
R111 R117 R211 R217 R311 R317 R411 R417 R511 R517	3009153973	RES CF 15K 1/5W J N	15K
R113 R115 R213 R215 R313 R315	3009244973		240K
R413 R415 R513 R515			
R114 R116 R214 R216 R314 R316 R414 R416 R514 R516	3003220953	RES CF 2.2K 1/5W F N	2.2K 1%
R605	3009225973	RES CF 2.2M 1/5W J N	2.2M
R606	3009184973	RES CF 180K 1/5W J N	180K
R607	3009203973	RES CF 20K 1/5W J N	20K
R608 R901	3009472973	RES CF 4.7K 1/5W J N	4.7K
R701 R801	3009223973	RES CF 22K 1/5W J N	22K
R803	3009121973	RES CF 120 1/5W J N	120
R804	3009330973	RES CF 33 1/5W J N	33
R704	3009331973	RES CF 330 1/5W J N	330

SW1 SW101 SW201 SW301 SW401 SW501	4628990310	SW SPUJ19XSM011(1KEY 2P) SU002	PUSH
S901	4628994300	SW SV10020-0202-9T-NN	SLIDE
U1-3	2118010332	IC NJM 5532DD JRC	5532DD
U101-102 U201-202 U301-302 U401-402 U501-502	2118010432	IC NJM2068DD JRC	2068DD
U601	2118011205	KIA4558P	KIA4558P
U901	2118011905	KIA7815API-U	7815
U902	2118012905	KIA7915PI-U	7915
VR1 VR101 VR201 VR301 VR401 VR501	3228067514	VR RK09S11F0104(5KB/C.C)	5KB
VR102 VR202 VR302 VR402 VR502	3228069194	VR RK09S11B0004(10KA)	10KA
VR103 VR203 VR303 VR403 VR503	3228067614	VR RK12U12B0004(50KCX2)	50KC*2
XN1	4438193710	XLR JACK(F) 3P(E303A0070N)	E303A0070N
XN2	4408194610	XLR JACK (M) (E403A0090N)	E403A0090N
CO1 CH5B JP3-4 RO1	OPEN	OPEN	OPEN
MT1-2	OPTION	OPTION	OPTION
LED 1 B'D(4003476110)			
DL1-4	2308232222	LED REF SLR-34UR R3 RED ROHM	SLR34URF
AN101 AN201 AN301 AN401	4355726401	CON ASS'Y 2P GREEN(80MM)	ASS'Y 2P
LED 2 B'D(4003476120)			
DL5-8	2308232222	LED REF SLR-34UR R3 RED ROHM	SLR34URF
AN501	4355726401	CON ASS'Y 2P GREEN(80MM)	ASS'Y 2P
AN601	4355726202	CON ASS'Y 2P ORANGE (90MM)	ASS'Y 2P

AN801	4355726302	CON ASS'Y 2P RED(90MM)	ASS'Y 2P
AN904	4355726102	CON ASS'Y 2P YEL(90MM)	ASS'Y 2P
ASS'Y			
SP-CAP	4355726006	WIRE 187T:187T/SP-CAP(130MM)	WIRE & SP CAP(0.01)
CON(G)	4355934703	187T & TUBE CON` ASS` Y Y-GRE	CON GND 1P
SW	4648099310	POWER SWITCH (H8500VB)	POWER SW
PT & AN901	2828059520	TRANS POWER PEQ-9115 220V	TRANS POWER
FUSE	5508220933	FUSE NB 31.8MM 150MA/250V U/C	NB150mAL/250V
AC IN	4448996910	AC INLET BACI-05-E1A (BELTON)	AC INLET
	4448598710	FUSE DRAWER (20MM)	FUSE DRAWER
	4448996914	VOLTAGE SELECTOR 220V ONLY	VOLTAGE SELETOR



COMPANY	INTER.M	APPLICANT	REVISED NUMBER AND DATE				S	DRAWN	CHECKED	APPROVED	NOTE	SIZE		SHEET NO.	SCHEMATIC DIAGRAM	
TYPE CODE	M.P	1.	4.	7.	8.	C					A-GND	CHGND	D-GND	A3	1/1	MODEL: PEQ-9115
APPROVED DATE	03.01.08	2.	6.	9.	N											

1 2 3 4 5 6

F E D C B A

INPUT

OUTPUT

BAND 1

BAND 2

BAND 3

BAND 4

BAND 5

LED1 B'D
4003476110

LED2 B'D
4003476120

MAIN B'D
4003476100

TRANS POWER

FUSE 10A/MS 444858P10
VOLTAGE SELECTOR: 4448988914

F E D C B A

1 2 3 4 5 6

interM

www.inter-m.com
MADE IN KOREA
2003.6