

**SERVICE**

**MANUAL**

M O N I T O R

**PANEL**

**PM-9208**

**interM**

**ELECTRICAL PARTS (PM - 9208)**

Ref. No.	Part No.	Description	VALUE	Qty
----------	----------	-------------	-------	-----

**MAIN B'D (4005193800)**

CON2 CON3			2P	2
CON4			3P	1
T1	2818099400	TRANS MATCHING PM-9206	TRANS	1
C61	3409222171-T	CAP AF RSG 220UF 50V SG 10 P	220/50	1
C62	3409210171-T	CAP AF RSG 100UF 50V 8 P	100/50	1
C63	3509103530-T	CAP CE F 0.01UF 50V Z	0.01	1
IC5	2128610900	IC KA7815 COMMON	7815	1
D61 D62	2058100996	DIODE RECTIFIER LT1N4006(4007)	1N 4006	2
F1	4458999110	FUSE CLIP 5*20	5*20	1
TERM1	4438094610	DC TERMINAL 2P	2P	1

**TERMINAL B'D (4005193810)**

CON1			16P	1
TERM2	4465997310	SCREW TERMINAL 8P	8P	1

**DISPLAY (A~H) B'D (4005193860)**

R80 R81 R82 R83 R78 R85 R86 R87	3009222973	RES CF 2.2K 1/5W J N	2.2K	64
R71 R72	3009681973	RES CF 680 1/5W J N	680	16
C71 C72	3409247971-T	CAP AF RSG 4.7UF 50V 5 P	4.7/50	16
R75	3009181973	RES CF 180 1/5W J N	180	8
R73	3009562973	RES CF 5.6K 1/5W J N	5.6K	8
R74	3009271973	RES CF 270 1/5W J N	270	8
R88	3039680472-F	RES MO 68 1W J N	68 1W	8
R76	3009821973	RES CF 820 1/5W J N	820	8
D71 D73			RD	16
D74 D75			YL	16
D76 D79 D77 D80			GR	32
IC6 IC7	2118030405	KIA6966S	KIA6966	16
CON7			4P	8

**SWITCHN B'D 1 (4005193820)**

R2A R2B R2C R2D R2E R2F R2G R2H	3009472973	RES CF 4.7K 1/5W J N	4.7K	8
R3A R3B R3C R3D R3E R3F R3G R3H	3009103973	RES CF 10K 1/5W J N	10K	8
R1A R1B R1C R1D R1E R1F R1G R1H	3002470953	RES CF 47K 1/5W F N	47K/1W	8
R109-R110	3009102973	RES CF 1K 1/5W J N	1K	2
C1A C1B C1C C1D C1E C1F C1G C1H	3409210071-T	CAP AF RSG 10UF 50V 5 P	10/50	8
CON5 CON9			CN/2P	2
CON8			16P	1
CON10			9P	1
CON11			3P	1
SW1				1
SVR101-SVR108			472	8
CON6A CON6B CON6C CON6D CON6E CON6F CON6G CON6H			4P	9

**SWITCH B'D 2 (4005193830)**

R111-R116	3009102973	RES CF 1K 1/5W J N	1K	6
R117-R119	3009121973	RES CF 120 1/5W J N	120	3
R120 R121	3009470973	RES CF 47 1/5W J N	47	2
R122-R125	3009330973	RES CF 33 1/5W J N	33	4
SW2				1
CON12			7P	1
CON13-CON15			2P	3

**LED B'D1 (4005193840)**

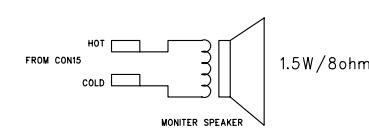
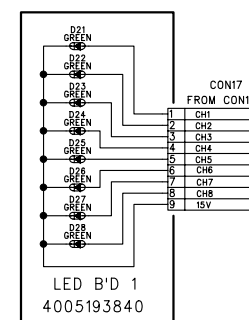
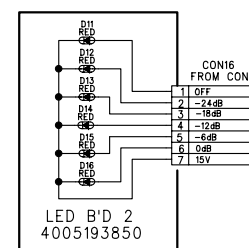
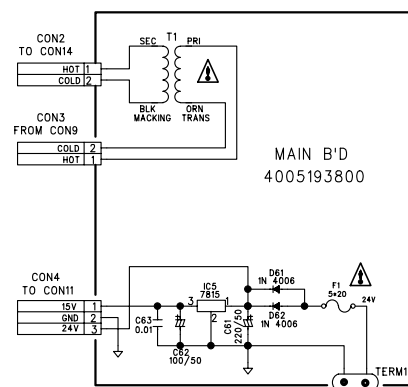
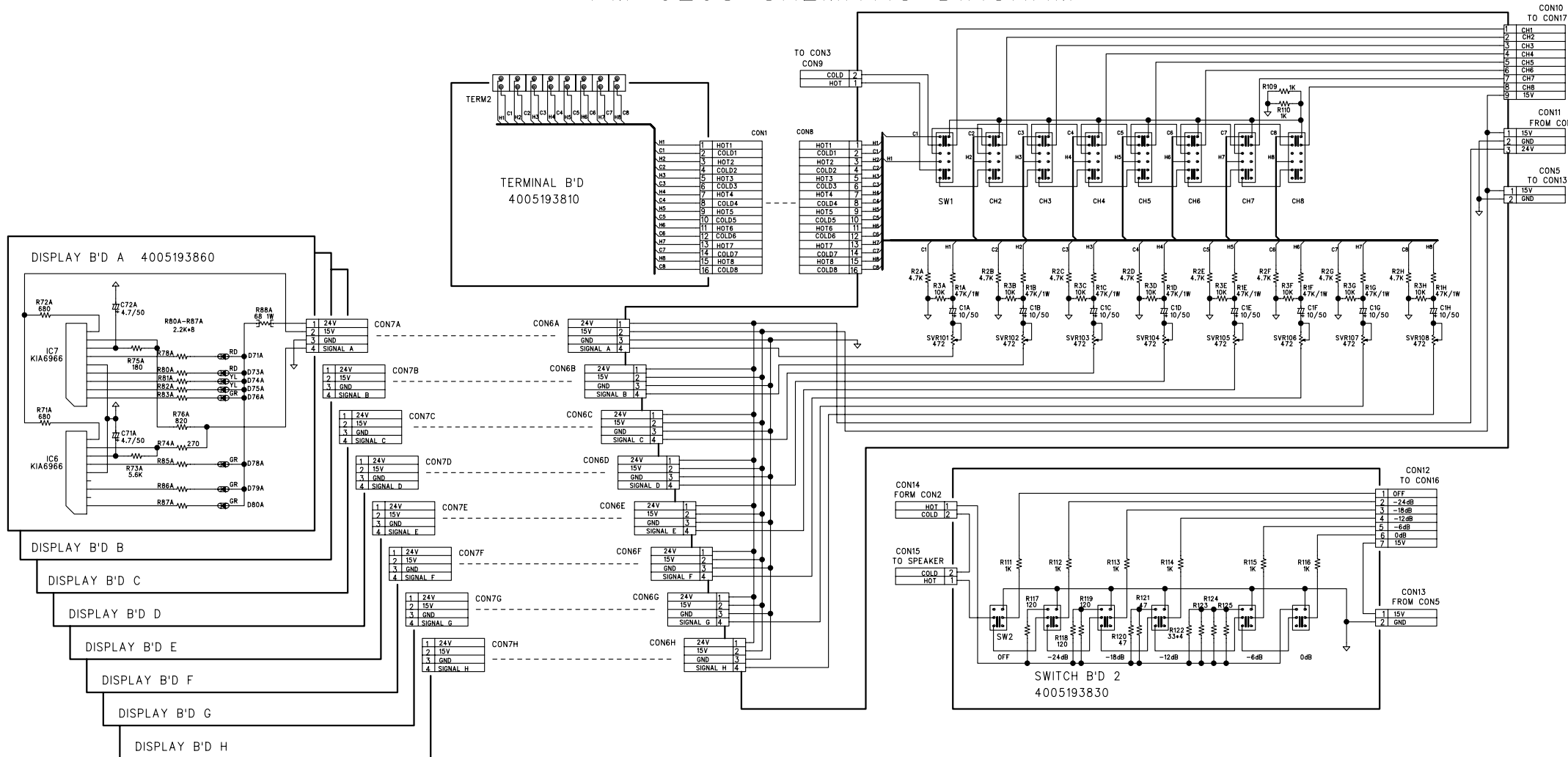
CON17			9P	1
D21-D28	2300052101	LED LTL-307G-012A LITEON	GREEN	8

**LED B'D2 (4005193850)**

CON16			7P	1
D11-D16	2300050101	LED LTL-307E-012A	RED	6

1		2		3		4		5		6		7		8		9	
COMPANY	INTER.M	APPLICANT	REVISED NUMBER AND DATE			DRAWN	CHECKED	APPROVED	NOTE			SIZE	SHEET NO.	SCHEMATIC DIAGRAM			
TYPE CODE		E.S	1.	4.	7.							A2	1/1	MODEL : PM-9208			
APPROVED DATE	00.00.00		2.	5.	8.												
			3.	6.	9.												

# PM-9208 SHEMATIC DIAGRAM



- SERVICE INFORMATION**
- RESISTANCE VALUES ARE INDICATED IN UNLESS OTHERWISE SPECIFIED. (K=1,000 M=1,000,000)
  - CAPACITANCE VALUES ARE SHOWN IN MICROFARADS UNLESS OTHERWISE NOTED (P=MICRO - MICROFARADS)
  - ALL VOLTAGE ARE REFERED TO GROUND UNDER THE FOLLOWING CONDITIONS:  
DC : NO SIGNAL EXCEPT WHERE INDICATED  
AC : R.M.S
  - PRECAUTION -  
A) ALL COMPONENTS MARKED MUST BE REPLACED ONLY WITH ORIGINAL TYPE SPECIFIED BY THE MANUFACTURER. DONT BOM PA SOUND AND INSTALLED AS THE ORIGINAL SPACERS AND POSITIONED AWAY FROM ADJACENT COMPONENTS WHERE APPLICABLE.  
B) ALL SOLDERING MUST BE DONE IN A PROFESSIONAL MANNER USING SOLDER WHITE RESINE CORE ONLY.  
C) ALL COVERS, SHIELD AND INSULATING MUST BE REPLACED BEFORE RETURNING APPLIANCE TO CUSTOMER.  
D) A DAMAGE POWER SUPPLY CORD MUST BE REPLACED BEFORE RETURNING TO CUSTOMER.  
E) DIELECTRIC TEST CONSISTING OF 1200V AC 60Hz IS TO BE APPLIED BETWEEN BOTH BLADES OF THE POWER SUPPLY CORD ATTACHMENT PLUS THE EXPOSE CONDUCTIVE SURFACE OF THE APPLIANCE FOR A PERIOD OF NOT NOTLESS THAN ONE SECOND RETURNING APPLIANCE TO CUSTOMER.  
F) THE MARKED RESISTORS ARE MOUNTED THE P.C.B ON SLEEVES.