

SERVICE

MANUAL

C A S S E T T E

RECEIVER

POP-30/60/120

interM

ELECTRICAL PARTS LIST (POP - 30/60/120)

Ref No.	Part No.	Description	Value	Qty	Remark
MAIN B'D (4005412801)					
C1-2 C5-6 C9-10 C13	3509102530-T	CAP CE B 0.001UF 50V J	0.001/50	7	
C15	3509223530-T	CAP CE F 0.022UF 50V Z	0.022/50	1	
C55-58	3509104530-T	CAP CE F 0.1UF 50V Z	0.1/50	4	
C3 C7 C11	3509150130-T	CAP CE SL 15PF 50V J	15P	3	
C8 C12	3509330130-T	CAP CE SL 33PF 50V J	33P	2	
C16	3509470130-T	CAP CE SL 47PF 50V J	47P	1	
C14	3509509030-T	CAP CE SL 5PF 50V J	5P	1	
C4	3509680130-T	CAP CE SL 68PF 50V J	68P	1	
C27 C36-37	3409210971-T	CAP AF RSG 1UF 50V 5 P	1/50	3	
C49-54	3409210171-T	CAP AF RSG 100UF 50V 8 P	100/50	6	
C59-60	3408210271	CAP RSA 1000UF 50V SNAP 16 P	1000/50	2	
C35	3409222071-T	CAP AF RSG 22UF 50V 5 P	22/50	1	
C47-48	3409222171-T	CAP AF RSG 220UF 50V SG 10 P	220/50	2	
C24 C30-32	3409233071-T	CAP AF RSG 33UF 50V 6 P	33/50	4	
C22-23 C25-26 C28-29 C33-34	3409247971-T	CAP AF RSG 4.7UF 50V 5 P	4.7/50	8	
C38-44	3409247041-T	CAP AF RSG 47UF 25V 5 P	47/25	7	
C20	3609103120-T	CAP MA 0.01UF 100V	0.01/100(M)	1	
C17-18	3609153120-T	CAP MA 0.015UF 100V J	0.015/100(M)	2	
C19 C21 C45-46	3609104122-T	CAP MA 0.1UF 100V J SMALL	0.1/100(M)	4	
CON4 CON6-8	4428595002	LW5267/LWB0640/2.5MM-02P	LW-5267-2P	3	
CON2	4428598303	CONNECTOR WAFER LW-0640-3P	LW-0640-3P	1	
CON3	4428596603	LOCK WAFER LW-1143-03P	LW-1143-3P	1	
CON29	4355887114	CON ASSY 3P	ASSY 3P	1	
CON5	4428598308	CONNECTOR WAFER LW-0640-8P	LW-0640-8P	1	
CON1	4428598309	CONNECTOR WAFER LW-0640-9P	LW-0640-9P	1	
D5-8	2058100996	DIODE RECTIFIER LT1N4006(4007)	1N 4006	4	
D1-3 D30-41	2058304100	DIODE IN4148M	1N 4148	15	
D4	2058502056	DIODE ZENER UZ-5.6BM(1N5232B)	UZ 5.6BM	1	
FB1-6	2648609900	FERRITE BEAD H5B	FERRITE BEAD	6	
FR-4	3089100275	RES NFR 10 1/4W J R PHILKO	FR 10	1	
FR-1 FR-3	3079479275	RES ERD-2FCVG 4R7T 1/4W R	FR 4.7	2	
FR-2	3079470275	RES ERD-2FCVG 470T 1/4W R	FR 47	1	
IC4	2128611000 8099130121	IC KA7818 COMMON HEX MSPM 3*12Y	7818	1	
IC5	2128611100 7505299320 8099130121	IC KA7918 COMMON HEAT SINK(45MM) REG TR HEX MSPM 3*12Y	7918	1	
IC6-7	2128610500 7505299320 8099130121	IC 7812 COMMON	7812	2	
IC1	2128740208	IC BXA 4240	BXA4240	1	
IC2-3	2118010432	IC NJM2068DD JRC	NJM 2068DD	2	
JK1-3	4438098910	JACK PHONE(DAE RYUNG MA-8001)	JACK PHONE	3	
Q2-5	2008606998-T	KTD1302-AT	2SD 1302R	4	
Q1	2008606105-T	TR NPN KTA1266-Y-AT TO-92	2SA 1266GR	1	
R7 R14 R21 R24 R38	3009101973	RES CF 100 1/5W J N	100	5	
R6 R13 R20 R34-35	3009104973	RES CF 100K 1/5W J N	100K	5	
R1-2 R8-9 R15-16 R22-23 R30 R47	3009103973	RES CF 10K 1/5W J N	10K	10	
R31 R40	3009123973	RES CF 12K 1/5W J N	12K	2	
R12 R19	3009154973	RES CF 150K 1/5W J N	150K	2	
R33	3009153973	RES CF 15K 1/5W J N	15K	1	
R10-11 R17-18 R27 R36	3009102973	RES CF 1K 1/5W J N	1K	6	
R28	3009105973	RES CF 1M 1/5W J N	1M	1	
R42	3009225973	RES CF 2.2M 1/5W J N	2.2M	1	
R52	3039200575-T	RES MO 20 2W J RADIAL	20 2W	1	

R39	3009224973	RES CF 220K 1/5W J N	220K	1	
R29	3009274973	RES CF 270K 1/5W J N	270K	1	
R26	3009273973	RES CF 27K 1/5W J N	27K	1	
R37	3009202973	RES CF 2K 1/5W J N	2K	1	
R44	3009333973	RES CF 33K 1/5W J N	33K	1	
R43	3009393973	RES CF 39K 1/5W J N	39K	1	
R53	3039479575-T	RES MO 4.7 2W J RADIAL	4.7 2W	1	
R25	3009472973	RES CF 4.7K 1/5W J N	4.7K	1	
R54-55 R54-1 R55-1	3039470575-T	RES MO 47 2W J RADIAL	47 2W	4	
R41 R46	3009473973	RES CF 47K 1/5W J N	47K	2	
R49	3039561575-T	RES MO 560 2W J RADIAL	560 2W	1	
R48	3009564973	RES CF 560K 1/5W J N	560K	1	
R50-51 R50-1 R51-1	3039560575-T	RES MO 56 2W J RADIAL	56 2W	4	
R45	3009563973	RES CF 56K 1/5W J N	56K	1	
R5	3009683973	RES CF 68K 1/5W J N	68K	1	
R32	3009822973	RES CF 8.2K 1/5W J N	8.2K	1	
R3-4	3009821973	RES CF 820 1/5W J N	820	2	
SVR1	3238082110	VR RV09A-20-25K-A14 ALPHA	10KA	1	
T2-4	4225000810-T	TEST POINT (NZ0352-001Z)	TEST POINT	3	
XLR1-2	4438193710	XLR JACK(F) 3P(E303A0070N)	XLR JACK	2	

POWER B'D (4005413000)

C68	3509102530-T	CAP CE B 0.001UF 50V J	0.001/50	1	
C67	3509101130-T	CAP CE SL 100PF 50V J	100P	1	
C66	3509470130-T	CAP CE SL 47PF 50V J	47P	1	
C69-70	3509561130-T	CAP CE B 560PF 50V J	560P	2	
C78	3409247871-T	CAP AF RSG 0.47UF 50V 5 P	0.47/50	1	
C71	3409210971-T	CAP AF RSG 1UF 50V 5 P	1/50	1	
C73 C75-76 C79-80	3409210071-T	CAP AF RSG 10UF 50V 5 P	10/50	5	
C61-62(POP-30)	3408222271	CAP RSA 2200UF 50V SNAP 18 P	2200/50	2	
C61-62(POP-60)	3419533279	CAP LSW332M 1HO25M(3300UF/50V)	3300/50	2	
C61-62(POP-120)	3409247280	CAP LSW472M1JP30M(4700UF/63V)	4700/63	2	
C81	3409247041-T	CAP AF RSG 47UF 25V 5 P	47/25	1	
C72 C74	3409247071-T	CAP AF RSG 47UF 50V 6 P	47/50	2	
C65	3609272120-T	CAP MA 0.0027UF 100V J	0.0027/100(M)	1	
C63-64	3609104140	CAP MA 0.1UF 200V J	0.1/200(M)	2	
CON9	4428596602	WAFER LW-1143-02P	LW-1143-2P	1	
CON11-12	4428595002	LW5267/LWB0640/2.5MM-02P	LW-5267-2P	2	
CON10	4428596603	LOCK WAFER LW-1143-03P	LW-1143-3P	1	
D9	2058100988	DIODE BRIDGE PBU 804	PBU 804	1	
D16-17	2058010101	DIODE IN 60	1N 60	2	
D14-15	2058100996	DIODE RECTIFIER LT1N4006(4007)	1N 4006	2	
D10-13	2058304100	DIODE IN4148M	1N 4148	4	
IC8	2118050410	IC TA7317P TOSHIBA	TA 7317P	1	
IDLE1-3	4678699411	CNT PLUG 1P	CNT 1P	3	
IDEL	3248347120	RES RH0615C100471 (470B)	470B	1	
OFFSET	3248310220	RES SEMI RH0615C100102	1KB	1	
Q18-19	2008407970-T	KTC1027-Y-AT	KTC1027	2	
Q10	2028407118	KTC2238A-Y-U	2SC 2238Y	1	
Q7(POP-30)	2028407109	TR NPN 2SC5197 TOSHIBA	2SD 718	1	
Q6-7(POP-60)	2028407109	TR NPN 2SC5197 TOSHIBA	2SD 718	2	
Q6-7(POP-120)	2028427998	TR 2SC 3856 W/ACC	2SC 3856	2	
Q8-9(POP-120)	2028107108	TR PNP 2SB1429.0	2SB 1429	2	
Q8-9(POP-60)	2028107106	TR PNP 2SB688(O)/2SA1940	2SB 688	2	
Q8(POP-30)	2028107106	TR PNP 2SB688(O)/2SA1940	2SB 688	1	
Q12-15 Q20	2008606108-T	KTC3200-BL-AT	KTC 3200BL	5	
Q21	2008606104-T	TR NPN KTC3198-Y-AT TO-92	KTC 3198Y	1	
Q22	2008606105-T	TR NPN KTA1266-Y-AT TO-92	2SA 1266GR	1	
Q16-17	2008206998-T	KTA1023-Y-AT	KTA1023	2	
Q11	2028107115	KTA968A-Y-U	2SA 968Y	1	
R56 R58(POP-30)	3059478783	RES CE 0.47 5W J T	0.47 5W	2	
R56-59(POP-60)	3059478783	RES CE 0.47 5W J T	0.47 5W	4	
R56-59(POP-120)	3059278783	RES CE 0.27 5W J T	0.27 5W	4	
R65 R68 R86-87	3009152973	RES CF 1.5K 1/5W J N	1.5K	4	

R63(POP-30)	3039151575-T	RES MO 150 2W J RADIAL	150 2W	1	
R63(POP-60)	3039681575-T	RES MO 680 2W J RASIAL	680 2W	1	
R63(POP-120)	3039821575-T	RES MO 820 2W J RADIAL	820 2W	1	
R77	3009101973	RES CF 100 1/5W J N	100	1	
R93	3009104973	RES CF 100K 1/5W J N	100K	1	
R69 R74-76	3009103973	RES CF 10K 1/5W J N	10K	4	
R62	3039103575-T	RES MO 10K 2W JR	10K 2W	1	
R88 R92 R96 R98	3009153973	RES CF 15K 1/5W J N	15K	4	
R71-72 R81	3009102973	RES CF 1K 1/5W J N	1K	3	
R83	3009222973	RES CF 2.2K 1/5W J N	2.2K	1	
R66 R84-85	3009203973	RES CF 20K 1/5W J N	20K	3	
R60-61	3039203473-T	RES MO 20K 1W J T	20K 1W	2	
R78-79	3009221973	RES CF 220 1/5W J N	220	2	
R97	3009224973	RES CF 220K 1/5W J N	220K	1	
R64	3039271575-T	RES MO 270 2W J RADIAL	270	1	
R99	3009333973	RES CF 33K 1/5W J N	33K	1	
R90	3009302973	RES CF 3K 1/5W J N	3K	1	
R73	3009471973	RES CF 470 1/5W J N	470	1	
R70 R95	3009473973	RES CF 47K 1/5W J N	47K	2	
R80	3009562973	RES CF 5.6K 1/5W J N	5.6K	1	
R89 R91 R94 R100	3009563973	RES CF 56K 1/5W J N	56K	4	
R82	3009682973	RES CF 6.8K 1/5W J N	6.8K	1	
R67	3009911973	RES CF 910 1/5W J N	910	1	
RLY1	5528008200	RELAY DH24D1-0 24V (DAIICHI)	HR-311	1	
TH1-2	2438209011	THERMISTOR YSG-503J L=100MM	50K	2	

VR B'D (4005412810)

C86	3509100130-T	CAP CE SL 10PF 50V D	10P	1	
C89	3509151130-T	CAP CE SL 150PF 50V J	150P	1	
C93-94	3509509030-T	CAP CE SL 5PF 50V J	5P	2	
C96 C98	3409215971-T	CAP AF RSG 1.5 UF 50V 5 P	1.5/50	2	
C95	3409222071-T	CAP AF RSG 22UF 50V 5 P	22/50	1	
C88 C90 C92 C97	3409233071-T	CAP AF RSG 33UF 50V 6 P	33/50	4	
C87 C91 C99-100	3409247041-T	CAP AF RSG 47UF 25V 5 P	47/25	4	
C82	3609102120-T	CAP MA 0.001UF 100V	0.001(M)	1	
C85	3609152120-T	CAP MA 0.0015UF 100V J	0.0015/100(M)	1	
C83-84	3609103120-T	CAP MA 0.01UF 100V	0.01/100(M)	2	
CON11	4428595002	LW5267/LWB0640/2.5MM-02P	LW-5267-2P	1	
CON14	4355886418	CON ASS'Y 2P	ASS'Y 2P	1	
CON15	4355886221	CON ASS'Y 2P	ASS'Y 2P	1	
CON21	4355887221	CON ASS'Y 4P	ASS'Y 4P	1	
CON22	4355886112	CON ASS'Y 1P	ASS'Y 1P	1	
CON23-24	4355886514	CON ASS'Y 2P	ASS'Y 2P	2	
CON13	4355887517	CON ASS'Y 8P	ASS'Y 8P	1	
CON20	4355887417	CON ASS'Y 9P	ASS'Y 9P	1	
D18	2058304100	DIODE IN4148M	1N 4148	1	
IC9-10	2118010590	IC NJM4558D JRC	NJM 4558D	2	
R107	3009122973	RES CF 1.2K 1/5W J N	1.2K	1	
R106 R109 R111 R115	3009101973	RES CF 100 1/5W J N	100	4	
R110	3009103973	RES CF 10K 1/5W J N	10K	1	
R112	3009121973	RES CF 120 1/5W J N	120	1	
R119-125	3009123973	RES CF 12K 1/5W J N	12K	7	
R103-104	3009133973	RES CF 13K 1/5W J N	13K	2	
R105	3009183973	RES CF 18K 1/5W J N	18K	1	
R108	3009102973	RES CF 1K 1/5W J N	1K	1	
R116	3009272973	RES CF 2.7K 1/5W J N	2.7K	1	
R101-102	3009392973	RES CF 3.9K 1/5W J N	3.9K	2	
R114 R118 R156	3009471973	RES CF 470 1/5W J N	470	3	
R113	3009473973	RES CF 47K 1/5W J N	47K	1	
SW1	4628987810	SW PUSH SPEC122RC011 (SUK78)	SW	1	
VR1-6	3228081010	VR RK11K114030713A (RO992)	10KA	6	
VR7-8	3238082710	VR RV09A-40-30F-B54-0C ALPHA	50KB	2	

OUTPUT LED B'D (4005412920)

C131	3409210971-T	CAP AF RSG 1UF 50V 5 P	1/50	1	
------	--------------	------------------------	------	---	--

C132	3409233971-T	CAP AF RSG 3.3UF 50V 5 P	3.3/50	1	
CON30	4355887317	CON ASSY 4P	ASSY 4P	1	
CON31-32	4428594010	WAFER 5532-10A J.MOLEX	10P	2	
CON33-34	4428593910	WAFER 5533-10APB J.MOLEX	10P	2	
IC14	2118032210	IC TA7666P TOSHIBA(2281)	KA2281	1	
LD1 LD8-9	2300030006	LED LTL 16KEE-021A	16KHR-021A	3	
LD2-7	2300032105	LED LTL-1CHG-021A LITEON	16KG-021A	6	
Q48	2008606104-T	TR NPN KTC3198-Y-AT TO-92	KTC 3198Y	1	
R211	3009182973	RES CF 1.8K 1/5W J N	1.8K	1	
R207 R212	3009104973	RES CF 100K 1/5W J N	100K	2	
R208-209 R213	3009473973	RES CF 47K 1/5W J N	47K	3	
R210	3009133973	RES CF 13K 1/5W J N	13K	1	
R1-9	3009681973	RES CF 680 1/5W J N	680	9	

PHONE JACK B'D (4005412940)

JK4	4438097320	BOARD PHONE JACK(ST) MPA-95	JACK(ST)	1	
CON29	4355887114	CON ASSY 3P	ASSY 3P	1	

ASSY

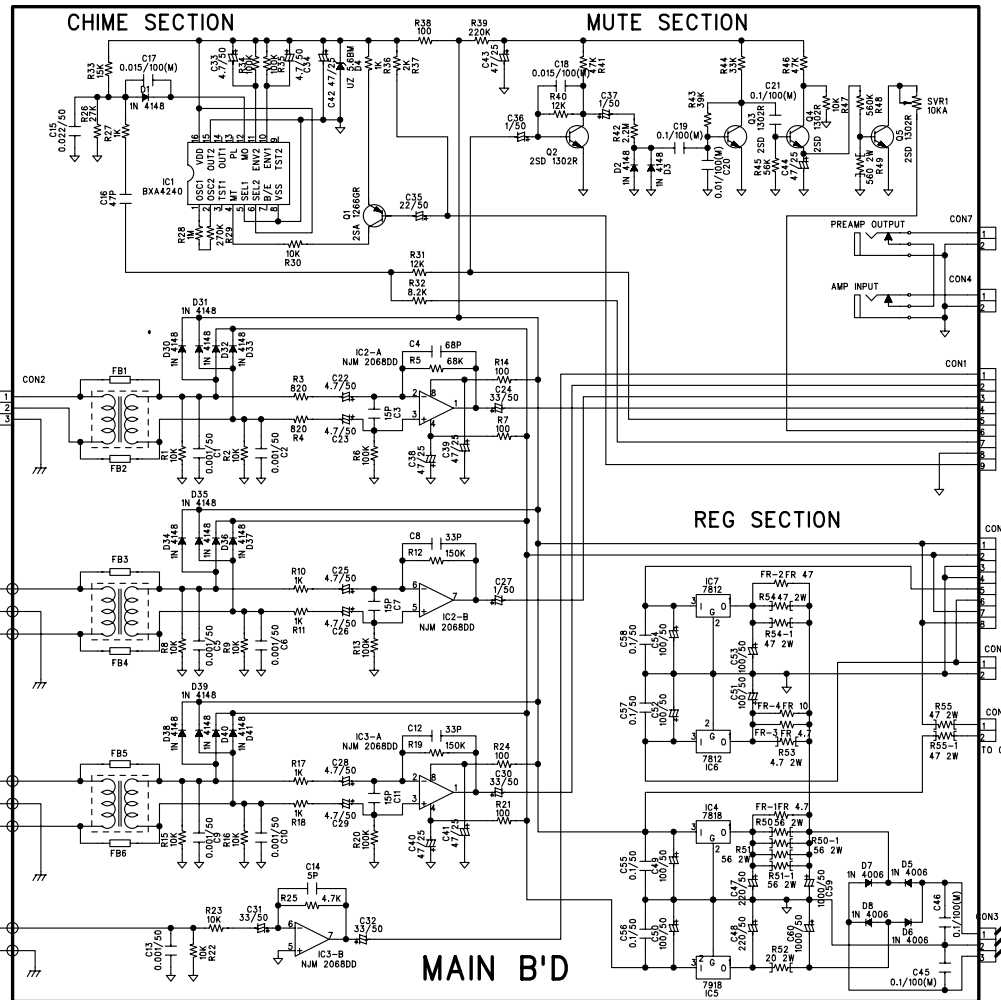
AC1-2	4355886316	CON ASSY TERMINAL	ASSY 1P	2	
S/K1-2	3549472407	CAP DE2E3KH472MA4B	0.0047/400	2	
IMP/SW	4618006510	SW VOL SELE SDJL4SBKP011(SP087	VOL/SW	1	
T12-13	1508400501	JUMP WIRE(0.5/52M/M)	JUMPER	2	
PT	2818090600	TRANS OUTPUT POP-30	POP-30	1	PT2
	2818090700	TRANS OUTPUT POP-60	POP-60		
	2818090800	TRANS OUTPUT POP-120	POP-120		
	2828078100	TRANS POWER POP-30	POP-30	2	PT1 PT3
2828078200	TRANS POWER POP-60	POP-60			
2828078300	TRANS POWER POP-120	POP-120			
SW500 SW600 SW700	4628984310	SW PUSH JPP022-302DH-41 JAEIL	SW	3	
SW10-11	4628988610	SW POWER SDDF3PATL011 (SP278)	POWER SW	2	
CON501 CON501-1	4678699420	CNT PLUG 2P	CNT 2P	2	
CON502 CON502-1	4678699430	CNT PLUG 3P	CNT 3P	2	
CON18-19 CON49 CON503	4428596604	LOCK WAFER LW-1143-04P	LW-1143-4P	4	
AC CORD	4308997310	AC CORD DOME 3-CORES	()	1	
	4308999410	AC CORD V+VII6A-250VHOVV-F3G	POP-30(B , R) POP-60(R)		
	4308996710	AC CORD (WITHOUT PLUG)	POP-60(C) POP-120(C)		
	4308999310	AC CORD UL 3 (INLET)	POP-60(E) POP-120(E)		
	4308998000	AC CORD POWER FOR SAA	POP-120(D)		
AC INLET	4448996910	AC INLET BACI-05-E1A (BELTON)	()		
	4448997110	AC INLET NO.KE-10.2100.151	POP-30(B , C , R) POP-60(C , R) POP-120(C)		
	4355886703	CON ASSY 5P	()		
FUSE	4448996911	FUSE DRAWER(31.8MM)	()		
	5508222033	FUSE NB 31.8MM 750MA/250V U/C	POP-30()		
	5508222230	FUSE NB 31.8MM 1A/250V KS	POP-60()		
	5508222530	FUSE NB 31.8MM 1.5A/250V KS	POP-120()		
	4448997120	FUSE DRAWER NO.4305.0001(20MM)	POP-30(B , C , R) POP-60(C , R) POP-120(C)		
	5508112139	FUSE#218T 20MM 800MA/250V UCSK	POP-30(B , C , R)		
	5508222533	FUSE NB 31.8MM1.5A/250V U/C	POP-30(E)		
	5508412239	FUSE#218T 20MM 1A/250V UCSKJ	POP-60(C , R)		
	5508222733	FUSE NB 31.8MM 2A/250V U/C	POP-60(E)		
	5508412639	FUSE#218T 20MM 1.6A/250V UCSKJ	POP-120(C)		
	5508122633	FUSE SB 31.8MM 1.6A/250V U/C	POP-120(D)		
	5508222933	FUSE NB 31.8MM 3A/250V U/C	POP-120(E)		
VOL.	4448997112	VOLTAGE 4305.0048.17(115/230)	POP-30(B , C , R) POP-60(C , R) POP-120(C)		

	4448996914	VOLTAGE SELECTOR 220V ONLY	()		
	4448996916	VOLTAGE SELECTOR 120/240V	POP-30(E)		
	6505959710	JACK B.K.T			
	3908609990	EMI FILTER 1000PF	M/T1-3	6	

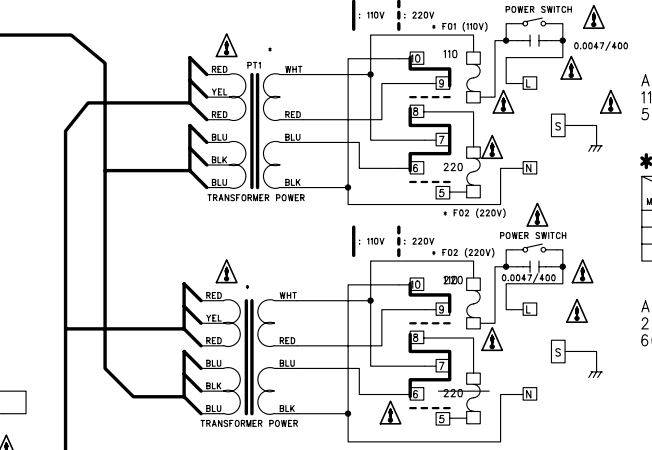
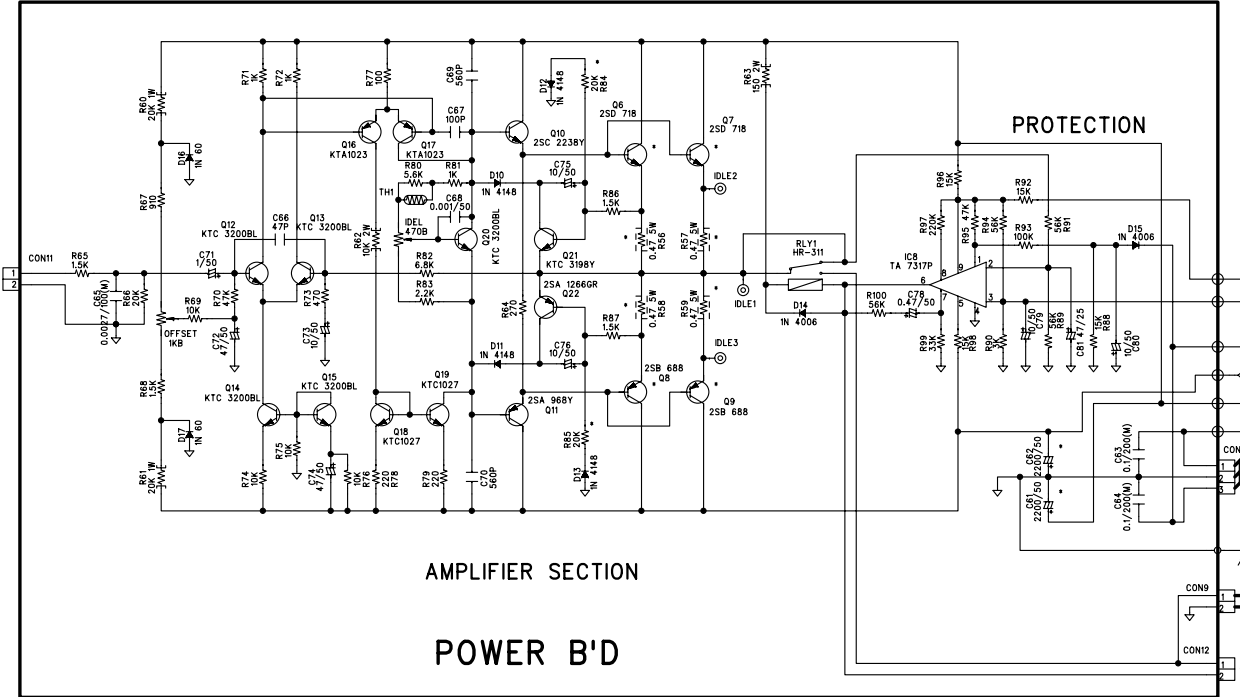
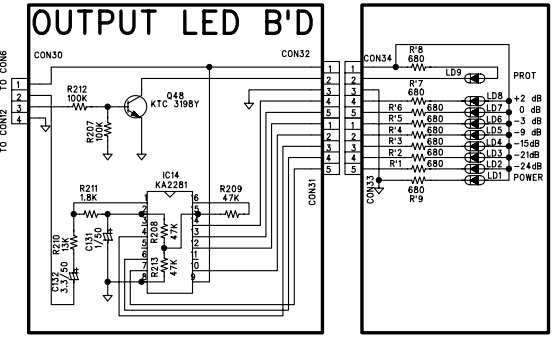
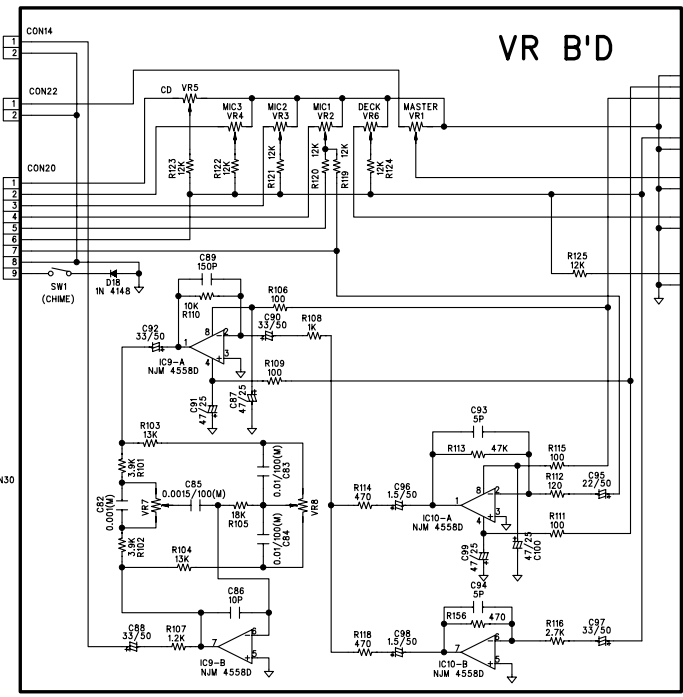
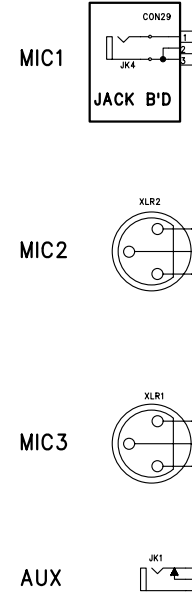
DECK B'D (4003317500)

C110	3509472530-T	CAP CE F 0.0047UF 50V Z	0.0047/50	1	
C113 C128	3509104530-T	CAP CE F 0.1UF 50V Z	0.1/50	2	
C109 C114	3529100110-T	CAP CE RH 10PF 50V D	10P	2	
CON37	4428598305	CONNECTOR WAFER LW-0640-5P	5P	1	
T1	2638699970	COIL CON-K5126YCT-KR	COIL OSC	1	
TRAP1	2658501060	COIL TPAP 389AC-1034	COIL TRAP	1	
CON17 CON25	4428599313	WAFER 52004-1310 J.MOLEX	13P	2	
D21	2058100996	DIODE RECTIFIER LT1N4006(4007)	1N 4006	1	
D19-20 D22-25	2058304100	DIODE IN4148M	1N 4148	6	
C103 C129	3409210971-T	CAP AF RSG 1UF 50V 5 P	1/50	2	
C104 C122 C126	3409210071-T	CAP AF RSG 10UF 50V 5 P	10/50	3	
C106	3409233071-T	CAP AF RSG 33UF 50V 6 P	33/50	1	
C105 C125	3409247971-T	CAP AF RSG 4.7UF 50V 5 P	4.7/50	2	
C107-108 C112 C123-124 C127	3409247071-T	CAP AF RSG 47UF 50V 6 P	47/25	6	
IC11	2128150190	IC CPU DWP913 CXP5098H-023	DWP 913 CPU	1	
C120	3609392120-T	CAP MA 0.0039UF 100V J	0.0039/100(M)	1	
C115	3609472120-T	CAP MA 0.0047UF 100V J	0.0047/100(M)	1	
C117-118	3609562120-T	CAP MA 0.0056UF 100V	0.0056/100(M)	2	
C133	3609682120-T	CAP MA 0.0068UF 100V J	0.0068/100(M)	1	
C111	3609822120-T	CAP MA 0.0082UF 100V	0.0082/100(M)	1	
C116 C119	3609223120-T	CAP MA 0.022UF 100V J	0.022/100(M)	2	
IC12-13	2118010432	IC NJM2068DD JRC	NJM 2068DD	2	
R132 R136-137 R164 R174-175	3009101973	RES CF 100 1/5W J N	100	6	
R162 R170	3009104973	RES CF 100K 1/5W J N	100K	2	
R165	3009100973	RES CF 10 1/5W J N	10	1	
R138 R140 R142 R150 R152 R157 R159 R169 R178 R180 R186 R190 R199-200 R203 R205	3009103973	RES CF 10K 1/5W J N	10K	16	
R129	3009121973	RES CF 120 1/5W J N	120	1	
R131	3009124973	RES CF 120K 1/5W J N	120K	1	
R130	3009153973	RES CF 15K 1/5W J N	15K	1	
R173 R191	3009183973	RES CF 18K 1/5W J N	18K	2	
R176	3009102973	RES CF 1K 1/5W J N	1K	1	
R168 R172	3009203973	RES CF 20K 1/5W J N	20K	2	
R126-127 R153	3009221973	RES CF 220 1/5W J N	220	3	
R128 R177	3009223973	RES CF 22K 1/5W J N	22K	2	
R163	3009273973	RES CF 2.2K 1/5W J N	27K	1	
R166-167	3009333973	RES CF 33K 1/5W J N	33K	2	
R139 R144 R158 R161 R182 R184 R188	3009302973	RES CF 3K 1/5W J N	3K	7	
R155	3009472973	RES CF 4.7K 1/5W J N	4.7K	1	
R133-134 R156	3009471973	RES CF 470 1/5W J N	470	2	
R217	3009474973	RES CF 470K 1/5W J N	470K	1	
R141 R143 R145 R147 R149 R151 R154 R160 R179 R181 R183 R185 R187 R189 R192-198 R202	3009473973	RES CF 47K 1/5W J N	47K	22	
R135	3009562973	RES CF 5.6K 1/5W J N	5.6K	1	
R146 R148	3009561973	RES CF 560 1/5W J N	560	2	
R171	3009681973	RES CF 680 1/5W J N	680	1	
RLY2	5528009960	RELAY RZ-12 RY-12W	REALY	1	
Q28-30 Q44-45 Q47	2008610600-T	TR NPNP 2SD 1302R	2SD 1302R	6	
Q26-27	2008606100-T	KTC-200-Y-AT	KTC 200Y	2	
Q23-24 Q31 Q36	2008606104-T	TR NPN KTC3198-Y-AT TO-92	KTC 3198Y	7	

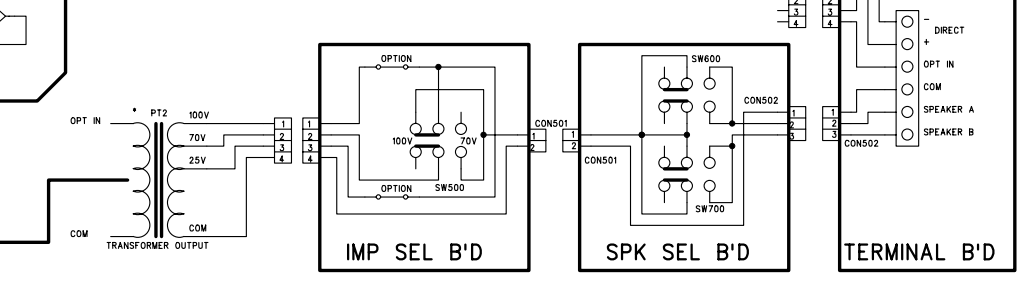
Q38-39 Q42					
Q25 Q32-35 Q40-41 Q43	2008006945	TR PNP KTA 1015(1266) Y	2SA 1266GR	8	
Q37	2008206999-T	KTA200-Y-AT	KTA 200Y	1	
SVR2	3248322220	RES SEMI RH0615C100222	2.2KB	1	
CON36	4428598313	CONNECTOR WAFER LW-0640-13P	13P	1	
CON27 CON35	4428595002	LW5267/LWB0640/2.5MM-02P	2P	3	
CON26	4428598303	CONNECTOR WAFER LW-0640-3P	3P	2	
X1	3908101090	RESONATOR CST 4.19MGW MURATA	4.19M	1	
CON38	4428595002	LW5267/LWB0640/2.5MM-02P	2P	1	
C101	3619221130		220P 125V	1	
C102	3619332130		3300P 125V	1	
R117	3009473973	RES CF 47K 1/5W J N	47K	1	



MODEL	Q6	Q8	R56,R57	C61	PT1	PT2	R64	R62	R210	R211
POP-30	2SD718	2S8688	0.47 5W	2200/50	2828078100	2818090600	15K	6.8K	6.8K	1.8K
POP-60	2SD718	2S8688	0.47 5W	3300/63	2828078200	2818090700	27K	10K	10K	2K
POP-120	2SD2155	2S81429	0.27 5W	4700/80	2828078300	2818090800	20K	18K	13K	1.8K

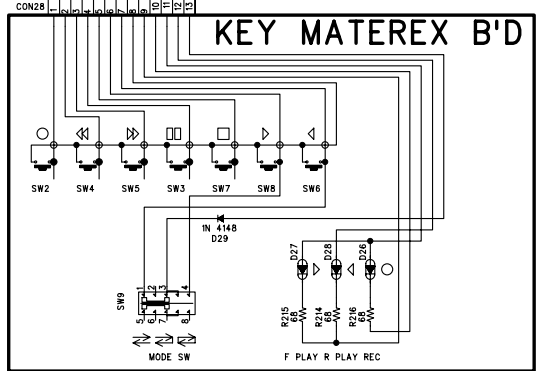
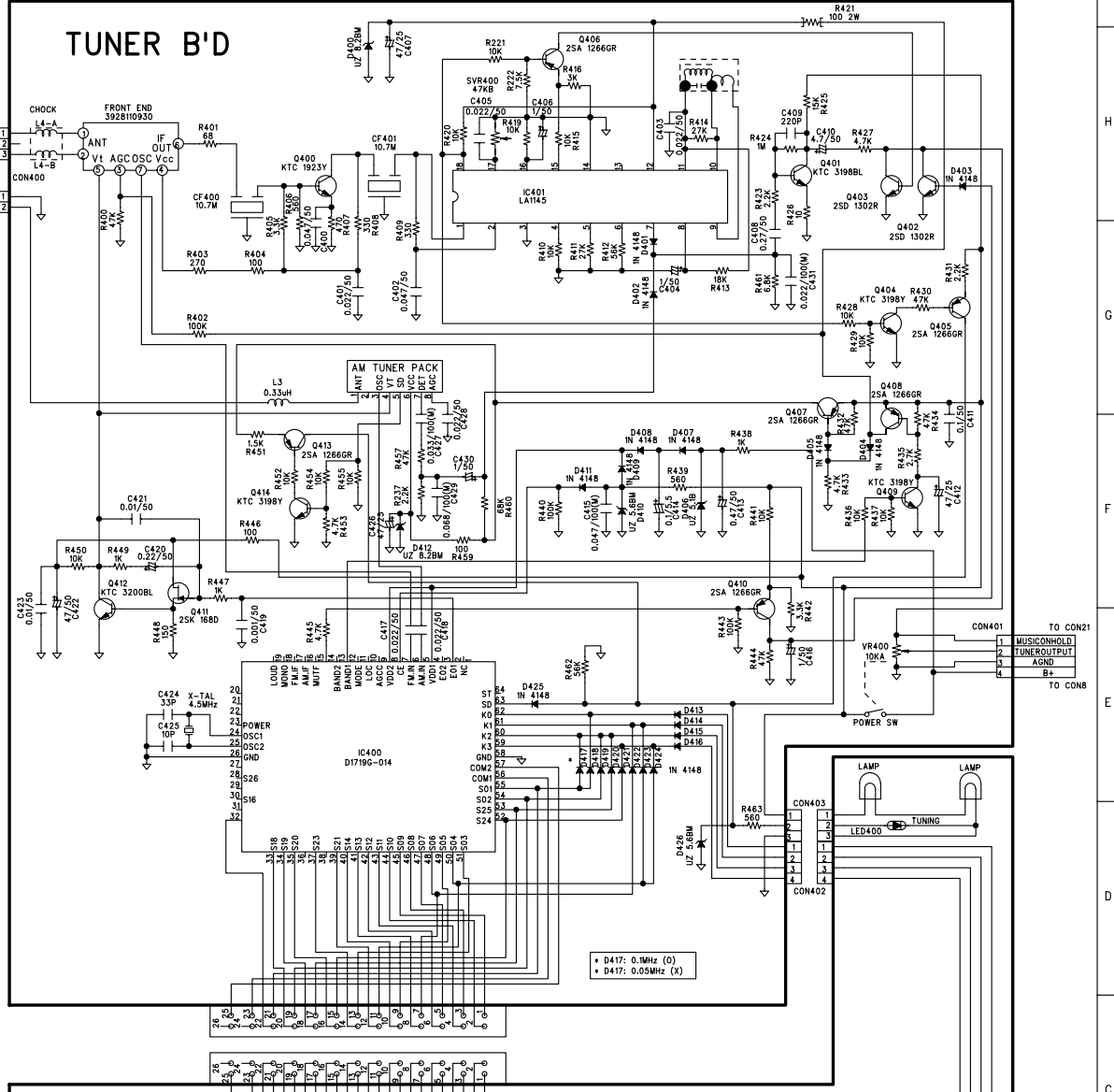
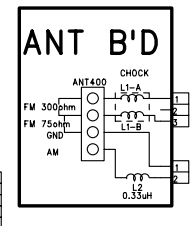
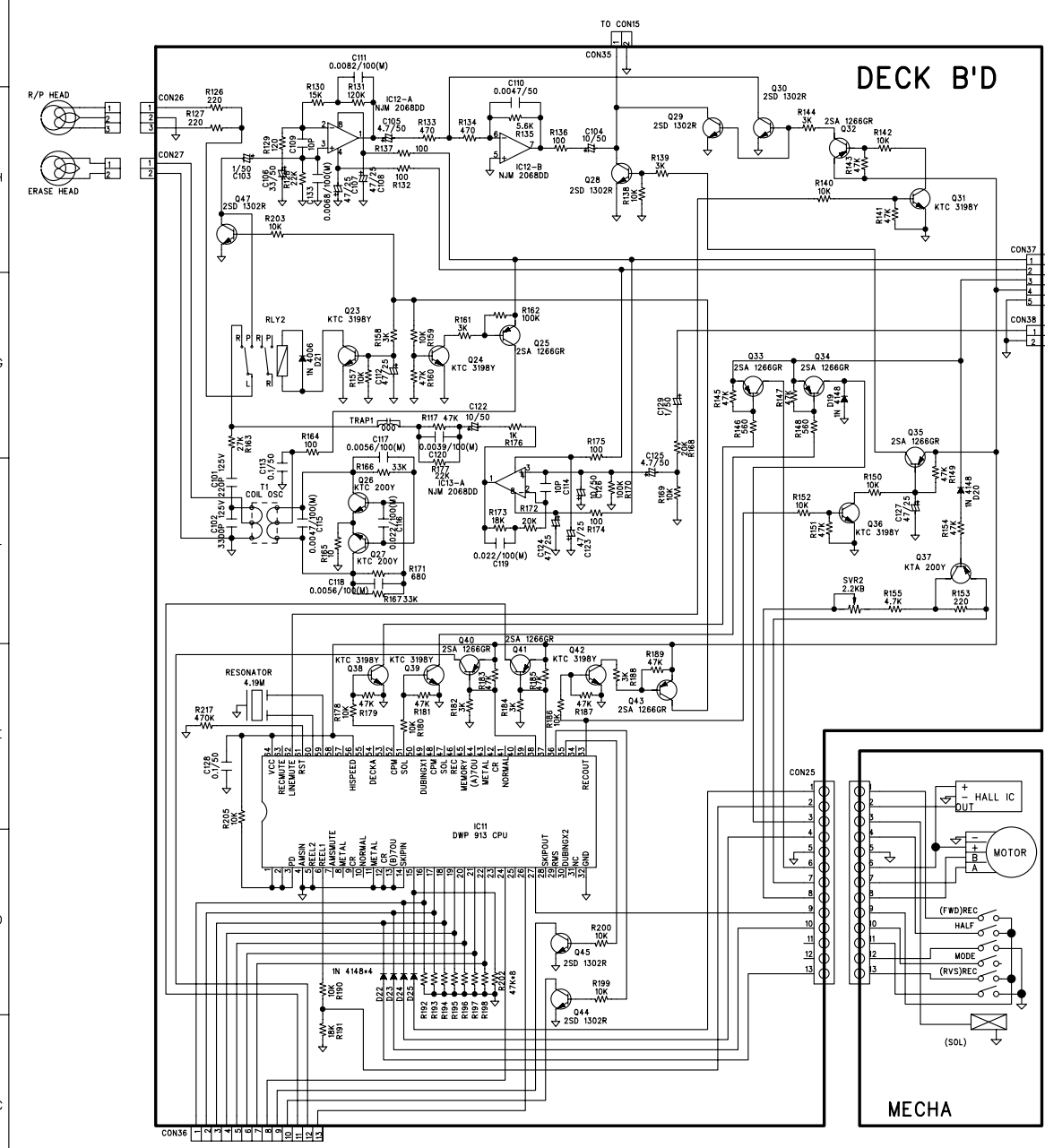


MODEL	FUSE	F01 (110V)	F02 (220V)
POP-30	FUSE NB 31.8mm	1.5A/250V	FUSE NB 31.8mm 0.75A/250V
POP-60	FUSE NB 31.8mm	2A/250V	FUSE NB 31.8mm 1A/250V
POP-120	FUSE NB 31.8mm	3A/250V	FUSE NB 31.8mm 1.5A/250V



I
H
G
F
E
D
C
B
A

1
2
3
4
5
6
7
8
9



***SERVICE INFORMATION**

1. RESISTANCE VALUES ARE INDICATED IN OHMS UNLESS OTHERWISE SPECIFIED.
(K=1000, M=1000000)

2. CAPACITANCE VALUES ARE SHOWN IN MICROFARADS UNLESS OTHERWISE NOTED.
(P=MICRO-MICROFARADS)

3. ALL VOLTAGES ARE REFERRED TO GROUND UNDER THE FOLLOWING CONDITIONS.
DC=NO SIGNAL EXCEPT WHERE INDICATED.
AC=RMS

4. PRECAUTION:
A) ALL COMPONENTS MARKED MUST BE REPLACED ONLY WITH ORIGINAL TYPE SPECIFIED BY THE MANUFACTURER. INTER M CORPORATION AND INSTALLED AS THE ORIGINAL SPACERS AND POSITIONED AWAY FROM ADJACENT COMPONENTS WHERE APPLICABLE.
B) JALL SOLDERING MUST BE DONE IN A PROFESSIONAL MANNER USING SOLDER WHITE RESINE CORE ONLY.
C) JALL COVERS, SHIELD AND INSULATING SPACERS MUST BE REPLACED BEFORE RETURNING APPLIANCE TO CUSTOMER.
D) A DAMAGE POWER SUPPLY CORD MUST BE REPLACED BEFORE RETURNING TO CUSTOMER.
E) DIELECTRIC TEST CONSISTING OF 120V AC 60HZ IS TO BE APPLIED BETWEEN BOTH BALDES OF THE POWER SUPPLY CIRD ATTACHMENT PLUG THE EXPOSE CONDUCTIVE SURFACE OF THE APPLIANCE FOR A PERIOD OF NOT LESS THAN ONE SECOND BEFORE RETURNING APPLIANCE TO CUSTOMER.
F) THE 3MM MARKED RESISTORS ARE MOUNTED THE P.C.B ON SLEEVES.

