

**SERVICE**

**MANUAL**

R E M O T E C O N T R O L

**MODULE**

**PS-88A**

**interM**

## ELECTRICAL PARTS LIST ( PS-88A )

Ref No.	Part No.	Description	Value	Qty
---------	----------	-------------	-------	-----

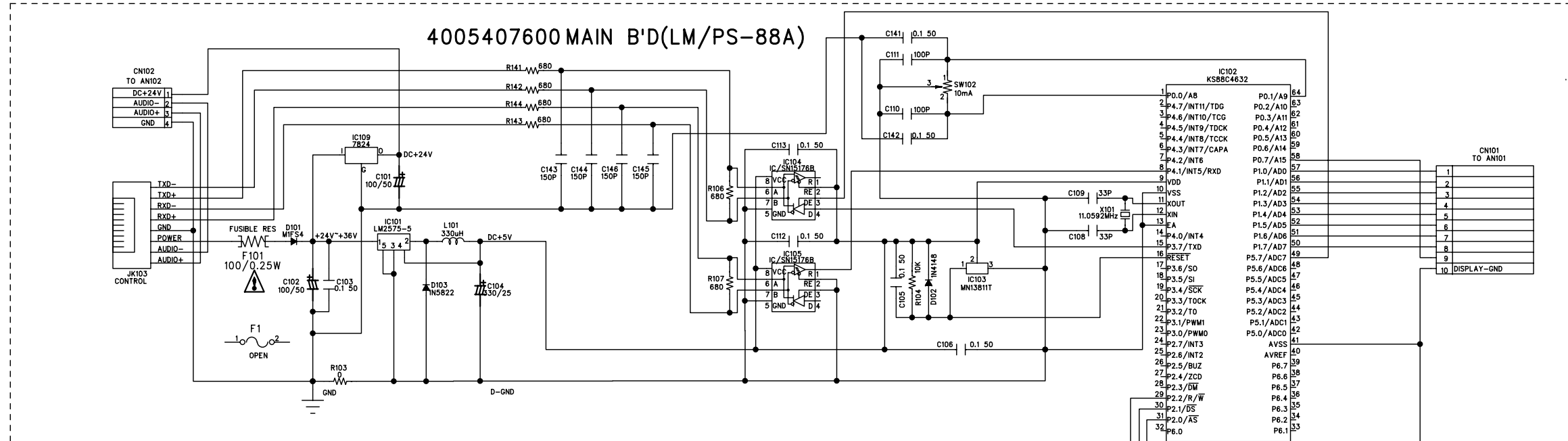
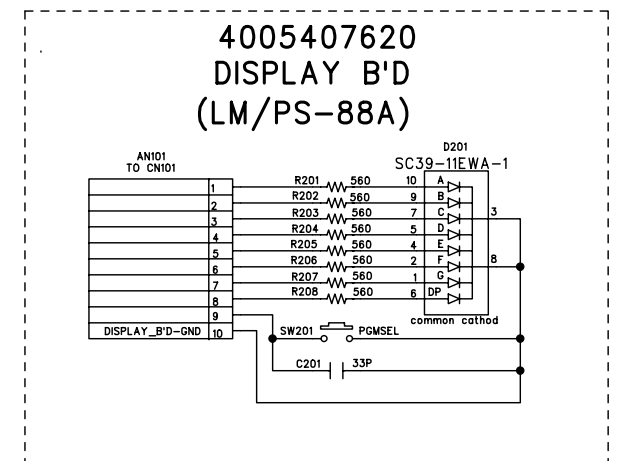
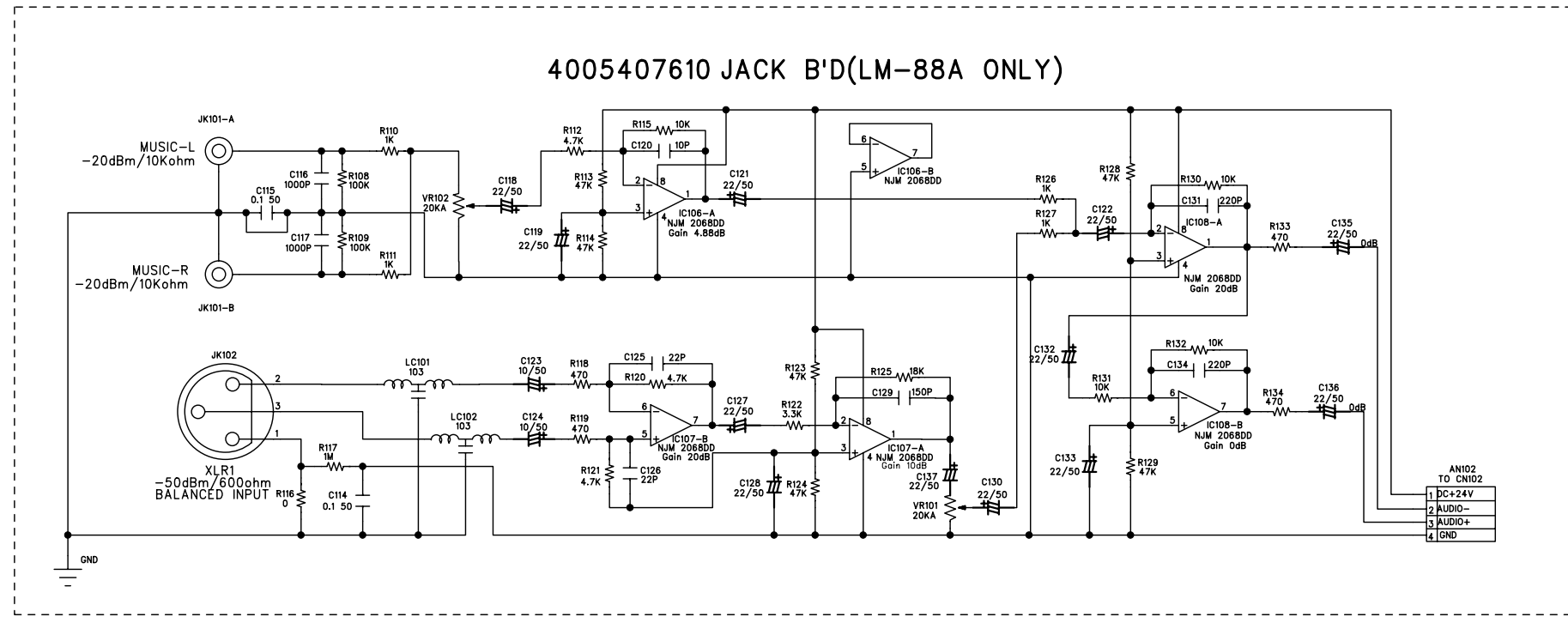
### MAIN B'D (4005407600)

CN101	4428594010	WAFER 5532-10A J.MOLEX	TO AN101	1
CN102			TO AN102	1
C103 C105-106 C112-113 C141-142	S35101045321	CAP CL 0.1UF 50V Z 1608	0.1 50	7
C110-111	S35101014321	CAP CL 100PF 50V J 1608	100P	2
C143-146	S35101514321	CAP CL 150PF 50V J 1608	150P	4
C108-109	S35103304321	CAP CL 33PF 50V J 1608	33P	2
L101	S26103312990	COIL SMD 330UH FASTECH	330uH	1
D101	S22301603001	DIODE M1FS4 SHINDENGEN	M1FS4	1
D103	2058100965	DIODE 1N5822	1N5822	1
D102	S22100500001	DIODE 1N4148 GP SMD	1N4148	1
C102	3409210171-T	CAP AF RSG 100UF 50V 8 P	100/50	1
C101	3409210171-T	CAP AF RSG 100UF 50V 8 P	100/50	1
C104	3409233147-T	CAP SD 330UF 25V 8P	330/25	1
F1			1A/250V	1
IC109	2118012205	KIA7824API-U	7824	1
IC101	2168640978	IC REGULATOR LM2575-5/LB03	LM2575-5	1
IC103	2128220700	IC MN13811T PANASONIC (RESET)	MN13811T	1
IC104-105	S21275087601	IC SN75176BD SOIC(TI)	SN75176	2
IC102	S21212640701	CPU S3P8469XZZ-QTR9 MATRIX	KS88C4632	1
R103	S30100007121	RES TF 0 1/16W 1608J	0	1
R104	S30101037121	RES TF 10K 1/16W 1608J	10K	1
R106-107 R141-144	S30106817121	RES TF 680 1/16W 1608	680	6
F101	3079101275	RES ERD-2FCVG 101T 1/4W R	100/0.25W	1
JK103			CONTROL	1
S1	S46980040301	DIP SWITCH KHS04	SW DIP KHS04	1
SW102			10mA	1
X101	3908101975	CRYSTAL 11.0592MHZ 49/U 20PF	11.0592MHz	1

### DISPALY B'D (4005407620)

C201	S35103304321	CAP CL 33PF 50V J 1608	33P	1
AN101	4428593910	WAFER 5533-10APB J.MOLEX	TO CN101	1
R201-208	S30105617121	RES TF 560 1/16W 1608	560	8
D201	2337000040	LED 7SEGMENT SC39-11(BS-C344RD	SC09-11EWA	1
SW201	4658099912	SWITCH TACT ITL-01GK	PGMSEL	1

1		2			3		4		5		6	
COMPANY	INTER.M	APPLICANT	REVISED NUMBER AND DATE			DRAWN	CHECKED	APPROVED	NOTE	SIZE	SHEET NO.	SCHMATIC DIAGRAM
TYPE CODE		M.P	1.	4.	7.					A3	1/1	MODEL: LM-88A/PS-88A
APPROVED DATE	2004.04.28		2.	5.	8.							
			3.	6.	9.							



POWER: DC +24V~+36V (From PX-0288)  
 Serial Interface (RS-422)  
 - Communication Speed : 9600 bps  
 - Full Duplex, Multi-Drop topology  
 - Data 8bits, Stop 1bit, Non Parity bit, Start 1bit  
 - Communication Distance : MAX 300m (at UTP Cat5)

S1	LM-88 #1	=>	000
	LM-88 #2	=>	001
	LM-88 #3	=>	010
	LM-88 #4	=>	011
	LM-88 #5	=>	100
	LM-88 #6	=>	101
	LM-88 #7	=>	110
	LM-88 #8	=>	111
	Not Used Pin4 & Pin5		